



SOLUTIONS SECURING YOUR WORLD

KEY FEATURES

- 2MP 30X H.265 Speed Dome Network Camera
- 140dB Super WDR
- 30X Optical Zoom, 16X Digital Zoom
- 255 Preset Positions
- ONVIF Profile S & G & T
- IR Distance up to 200m
- Surge Protection

SPECIFICATIONS

Description	2MP, 30x optical zoom, Super WDR 140dB, 200m IR, IP66, Supports PoE	
Camera	Image Sensor	1/2.8" Progressive Scan CMOS
	Min. Illumination	Color :0.002 Lux @ F1.2, B/W : 0 Lux with IR on
	WDR	140dB Super WDR
	Shutter Time	1/100000s~1s
	IR Distance	Up to 200m
	Day&Night	ICR Filter Auto Switch
	Digital Zoom	16x
Lens	Lens	4.5~135mm(Optional); 4.7~141mm, 30X Optical Zoom
	Zoom Speed	Approx 6sec (Optical Wide-Tele)
	Aperture	F1.5~F4.0
PTZ	Pan Range/Pan Speed	360° endless/ Pan Manual Speed: 0.5°~180°/s, Pan Preset Speed: 240°/s
	Tilt Range/Tilt Speed	0°~90°(Auto Flip)/ Tilt Manual Speed: 0.5°~120°/s, Tilt Preset Speed: 200°/s
	Preset/Patrol	255/ 8 Patrols, up to 48 presets each patrol
Video	Max. Image Resolution	1920 x 1080
	Video Compression	H.265+/H.265(HEVC)/H.264+/H.264/MJPEG
	Video Bit Rate	16Kbps ~ 16Mbps (CBR/VBR Adjustable)
	Primary Stream	60fps@(1920x1080, 1280x960, 1280x720, 704x576)
	Secondary Stream	60fps@(704x576, 640x480, 640x360, 352x288, 320x240, 320x192, 320x180)
	Tertiary Stream	30fps@(1920x1080, 1280x720, 704x576, 640x480, 640x360, 320x240, 320x192, 320x180)
Audio	Audio Compression/IO	G.711/AAC/G.722/G.726/ Input-Output interfaces: 1/1
Network	Ethernet	1x RJ45 10M/100M Ethernet Port
	Network Storage	NAS (Support NFS, SMB/CIFS)
	Protocol	IPv4/IPv6, ARP, TCP, UDP, RTP, RTSP, RTCP, HTTP, HTTPS, DNS, DDNS, DHCP, FTP, NTP, SMTP, SNMP, UPnP, Bonjour, SIP, PPPoE, VLAN, 802.1x, QoS, IGMP, ICMP,
System	Storage	Support microSD/SDHC/SDXC Card Local Storage, upto 128G
	Advanced Function	Auto Tracking, Privacy Masking, BLC, HLC, 2D DNR, 3D DNR, ROI, Defog, AWB, EIS, IP Address Filtering, AGC, Anti-flicker, Corridor Mode, Deblur
	Event Trigger	MotionDetection, NetworkDisconnection, Audio Alarm, etc.
	Event Action	FFTP Upload / SMTP Upload / SD Card Record / SIP Phone / PTZ Motion etc
	Video Analysis(optional)	Region Entrance / Exiting, Advanced Motion Detection, Tamper Detection, Line Crossing, Human Detection, People Counting
	System Compatibility	ONVIF Profile S & G & T
General	Working Temperature	Temperature: -40°C ~ 60°C / Humidity: 0~90%(Non-condensing)
	Power Supply	PoE (802.3at) / AC24V / 3A±10%
	Power Consumption	13W MAX/ 25W MAX(With IR on)
	Weather Proof/Housing	Up to IP66-rated for weather-resistant performance / Vandal-proof IK10-rated Metal Housing(Optional)
	Dimensions	205mm X 308mm
	Surge Protection	6KV
	Weight	4Kg

ACCESSORIES



DM223P/PM -
Pendant mount

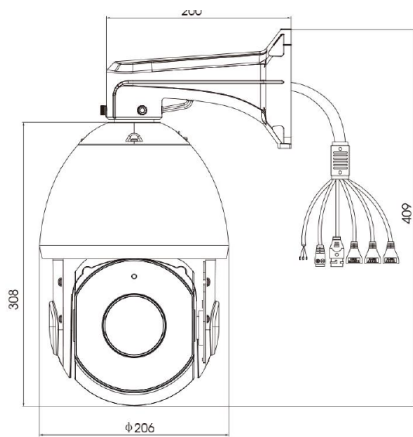


DM223P/WM -
Wall mount



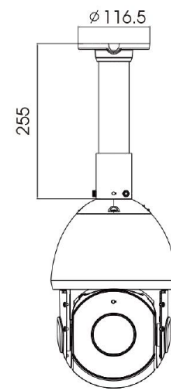
DM223P/JB -
Junction box

DIMENSIONS



Units: mm

Wall Mount



Ceiling Mount

PARTCODE

NV-DM230P

DESCRIPTION

2MP, 30x Optical Zoom, AF Lens 4.7~141mm, Ultra low 0.002Lux@F1.2, Super WDR 140dB, H.265+/H.265/H.264+/H.264, 200m IR, IP66, Supports PoE.

UAE Address:
P3-Hamriyah Business Centre
PO Box 50235
Hamriyah Free Zone - Sharjah - UAE.
E-mail: info@networkvideosolutionsfze.com
Tel : +97148828919