



**SOLUTIONS SECURING YOUR WORLD**

## KEY FEATURES

- 2 Megapixel 42X H.265 Speed Dome Network Camera
- 140dB Super WDR
- 42X Optical Zoom, Digital Zoom 16X
- Audio supported
- IR distance upto 300mtrs
- Powered over PoE/AC 24V/3A
- Surge Protection
- 255 Preset Positions, 8 Patrols

# SPECIFICATIONS

<b>Description</b>	2MP PTZ Dome, 140dB SuperWDR, 42X optical 16x digital, PoE/24AC	
<b>Camera</b>	Image Sensor	1/2.8" Progressive Scan CMOS
	Min. Illumination	Color :0.002 Lux @ F1.2, B/W : 0 Lux with IR on
	WDR	140dB Super WDR
	IR Distance	Up to 300m
	Day&Night	ICR Filter Auto Switch
	Digital Zoom	16X
<b>Lens</b>	Lens	7~300mm, 42X Optical Zoom, 1200~1500mm(Wide-Tele)
	Focus Control	Auto/Semi-Auto/Manual
	Zoom Speed	Approx 7s(Optical Wide-Tele)
<b>PTZ</b>	Pan Range/Pan Speed	360° endless/ Pan Manual Speed: 0.5° 180°/s, Pan Preset Speed: 240°/s
	Tilt Range/Tilt Speed	0°~90°(Auto Flip)/ Tilt Manual Speed: 0.5° 120°/s, Tilt Preset Speed: 200°/s
	Preset/ Patrol	255/ 8 Patrols, up to 48 presets each patrol
<b>Video</b>	Max. Image Resolution	1920x1080
	Video Compression	H.265+/H.265(HEVC)/H.264+/H.264/MJPEG
	Video Bit Rate	16Kbps ~ 16Mbps ( CBR/VBR Adjustable )
	Primary Stream	60fps @ (1920x1080,1280x960,1280x720,704x576)
	Secondary Stream	60fps @ (704x576,640x480,640x360,352x288,320x240,320x192,320x180)
	Tertiary Stream	30fps @ (1920x1080,1280x720,704x576,640x480,640x360,320x240,320x192,
<b>Network</b>	Ethernet	1x RJ45 10M/100M Ethernet Port
	Network Storage	NAS(Support NFS, SMB/CIFS)
	Protocol	IPv4/IPv6, ARP, TCP, UDP, RTP, RTSP, RTCP, HTTP, HTTPS, DNS, DDNS, DHCP, FTP, NTP, SMTP, SNMP, UPnP, Bonjour, SIP, PPPoE, VLAN, 802.1x, QoS, IGMP, ICMP,
<b>System</b>	Storage	Support microSD / SDHC / SDXC Card Local Storage, upto 256G
	Advanced Function	Auto Tracking, Privacy Masking, BLC, HLC, 2D DNR, 3D DNR, ROI, Defog, AWB, EIS, IP Address Filtering, AGC, Anti-flicker, Corridor Mode, Deblur
	SIP/VoIPSupport	Yes, Voice & Video-over-IP
	Event Trigger	Motion Detection, Network Disconnection, External Input,Audio Alarm,etc
	Event Action	FTP Upload, SMTP Upload, SD Card Record, External Output SIP Phone,
	Video Analysis(optional)	Region Entrance/Exiting, Advanced Motion Detection, Tamper Detection, Line Crossing, Human Detection, People Counting, Object Left/Removed
	System Compatibility	ONVIF Profile S & G & T
<b>General</b>	Working Temperature	-40C~60C, Humidity 0~90% ( Non-condensing )
	Power Supply	PoE (802.3at) / AC24V / 3A±10%
	Power Consumption	13W MAX / 25W MAX ( With IR on )
	Weather Proof Housing	Up to IP66-rated for weather-resistant performance / Vandal-proof IK10-rated Metal Housing(Optional)
	Dimensions	205mmX308mm
	Surge Protection	6KV
	Weight	4Kg

## ACCESSORIES



DM242P/PM -  
Pole mount



DM242P/ECB -  
External corner bracket



DM242P/WM -  
Wall mount



DM242P/PCM -  
Pendant mount

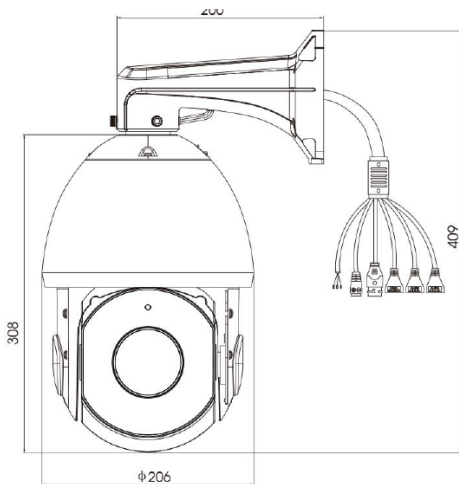


DM242P/EL -  
L extension lever



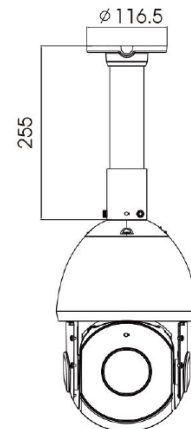
DM242P/JB -  
Junction box

## DIMENSIONS



Wall Mount

Units: mm



Ceiling Mount

### PARTCODE

NV-DM242P

### DESCRIPTION

2MP PTZ dome, 140dB Super WDR, 42X optical 16x digital, upto 300mtr IR, audio, microSD upto 256Gb, 60°C, Alarms, PoE / 24AC

UAE Address:  
P3-Hamriyah Business Centre  
PO Box 50235  
Hamriyah Free Zone - Sharjah - UAE.  
E-mail: [info@networkvideosolutionsfze.com](mailto:info@networkvideosolutionsfze.com)  
Tel : +97148828919