



SOLUTIONS SECURING YOUR WORLD

KEY FEATURES

- 4MP Bullet Day/Night Vandal proof Camera
- 2.8~12 mm motorized lens
- 120dB Optical WDR
- Ultra 265,H.265, H.264, MJPEG
- Smart IR, up to 30m IR distance
- Triple streams
- ONVIF Conformance
- IK10
- IP67

SPECIFICATIONS

| | | |
|--------------------|--|--|
| Description | 4 Megapixel Vandal-proof Network Dome Camera | |
| Camera | Image Sensor | 1/3", 4.0 megapixel, progressive scan, CMOS |
| | Lens | 2.8 ~ 12mm, AF automatic focusing and motorized zoom lens |
| | Angle of View(H) | 91.0° ~ 27° |
| | Angle of View (V) | 54.4° ~ 13.7° |
| | Angle of View (O) | 118.3° ~ 33.2° |
| | Adjustment angle | Pan: 0°~360°, Tilt: 0°~90° & Rotate: 0°~360° |
| | Shutter | Auto/Manual, 1~ 1/100000s |
| | Minimum Illumination | Colour: 0.005Lux (F1.4, AGC ON) 0Lux with IR |
| | Day/Night | IR-cut filter with auto switch (ICR) |
| | Digital noise reduction | 2D/3D DNR |
| | IR Range | Up to 30m |
| | WDR | 120dB |
| | Video | Video Compression |
| Frame Rate | | Main Stream: 4MP (2592*1520), Max 20fps; 4MP (2560*1440), Max 25fps; 3MP (2048*1520), Max 30fps; Sub Stream: 2MP (1920*1080), Max 30fps; Third Stream: D1 (720*576), Max 30fps |
| HLC/BLC | | supported |
| ROI/Privacy mask | | Up to 8 areas |
| Audio | Audio Compression | G.711 |
| Storage | Edge Storage | Micro SD, up to 256 GB |
| Network | Protocols | IPv4, IGMP, ICMP, ARP, TCP, UDP, DHCP, PPPoE, RTP, RTSP, RTCP, DNS, DDNS, NTP, FTP, UPnP, HTTP, HTTPS, SMTP, 802.1x, SNMP, QoS |
| | Compatible Integration | ONVIF (Profile S, Profile G, Profile T), API |
| Interface | Audio I/O | Input: impedance 35kΩ; amplitude 2V [p-p], |
| | | Output: impedance 600Ω; amplitude 2V [p-p] |
| | Network | 1x RJ45 10M/100M Base-TX Ethernet |
| General | Power | DC 12V±25%, PoE (IEEE 802.3af) |
| | | Power consumption: Max 7.2W |
| | Operating Conditions | 40°C ~ 60°C (-40°F ~ 140°F), Humidity: ≤95% RH (non-condensing) |
| | Ingress Protection Level | IP67 |
| | Vandal Resistant | IK10 |
| | Dimensions | Ø148 x 111.3mm (Ø5.8" x 4.4") |
| | Weight | 0.75kg (1.7lb) |

ACCESSORIES



FCM-ND242
False Ceiling mount

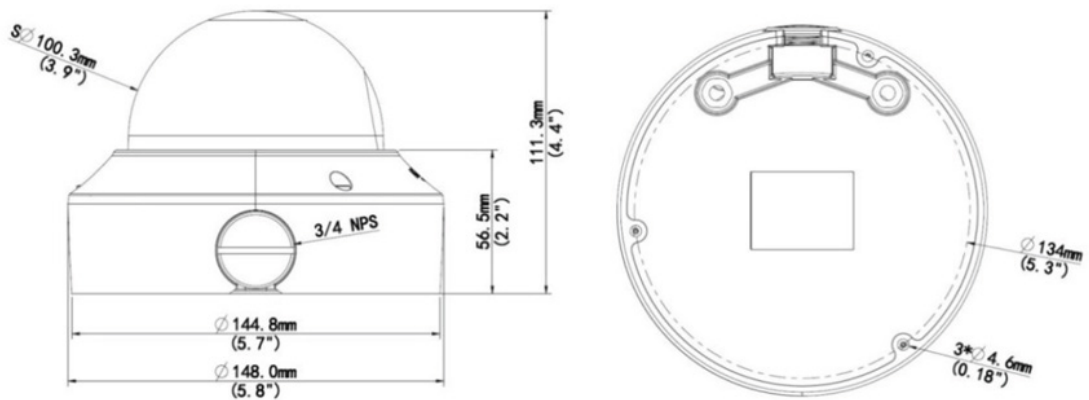


WM-ND242
Wall mount



JB-ND242
Junction Box

DIMENSIONS



PARTCODE

NV-ND242Z

DESCRIPTION

4MP Ultra 265/H.265, 2.8~12mm Motorised dome, 120 dB WDR, 30m IR, IK10, IP67, Triple streams

UAE Address:
P3-Hamriyah Business Centre
PO Box 50235
Hamriyah Free Zone - Sharjah - UAE.
E-mail: info@networkvideosolutionsfze.com
Tel : +97148828919