

# Unicorn

Professional Indoor Narrow Pixel Pitch

U1.5 / U1.9

# U

## icorn

### Indoor Narrow Pixel Pitch



Professional Display Effect



Front Maintenance



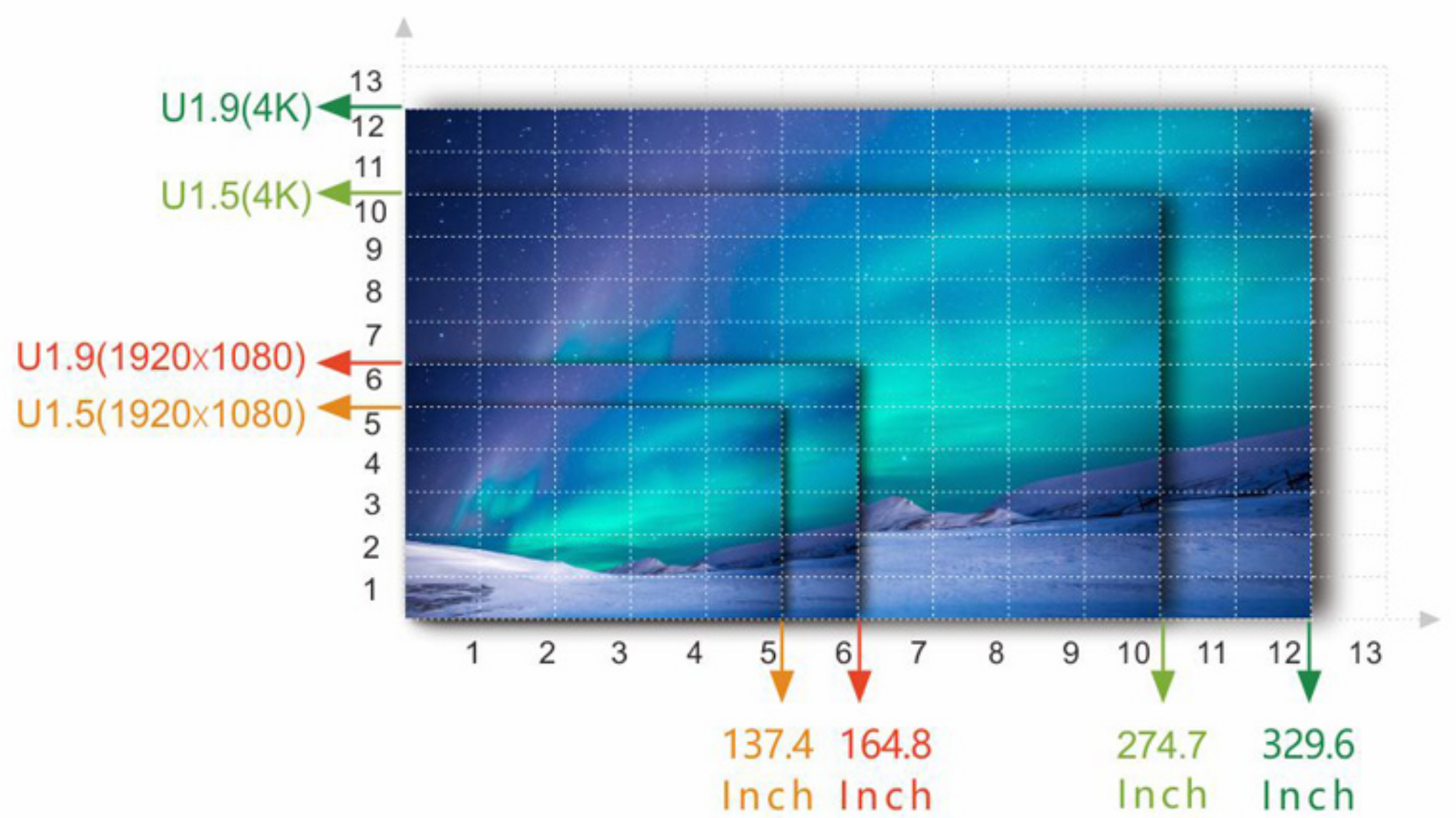
High Contrast Ratio



Backup Power and Signal System

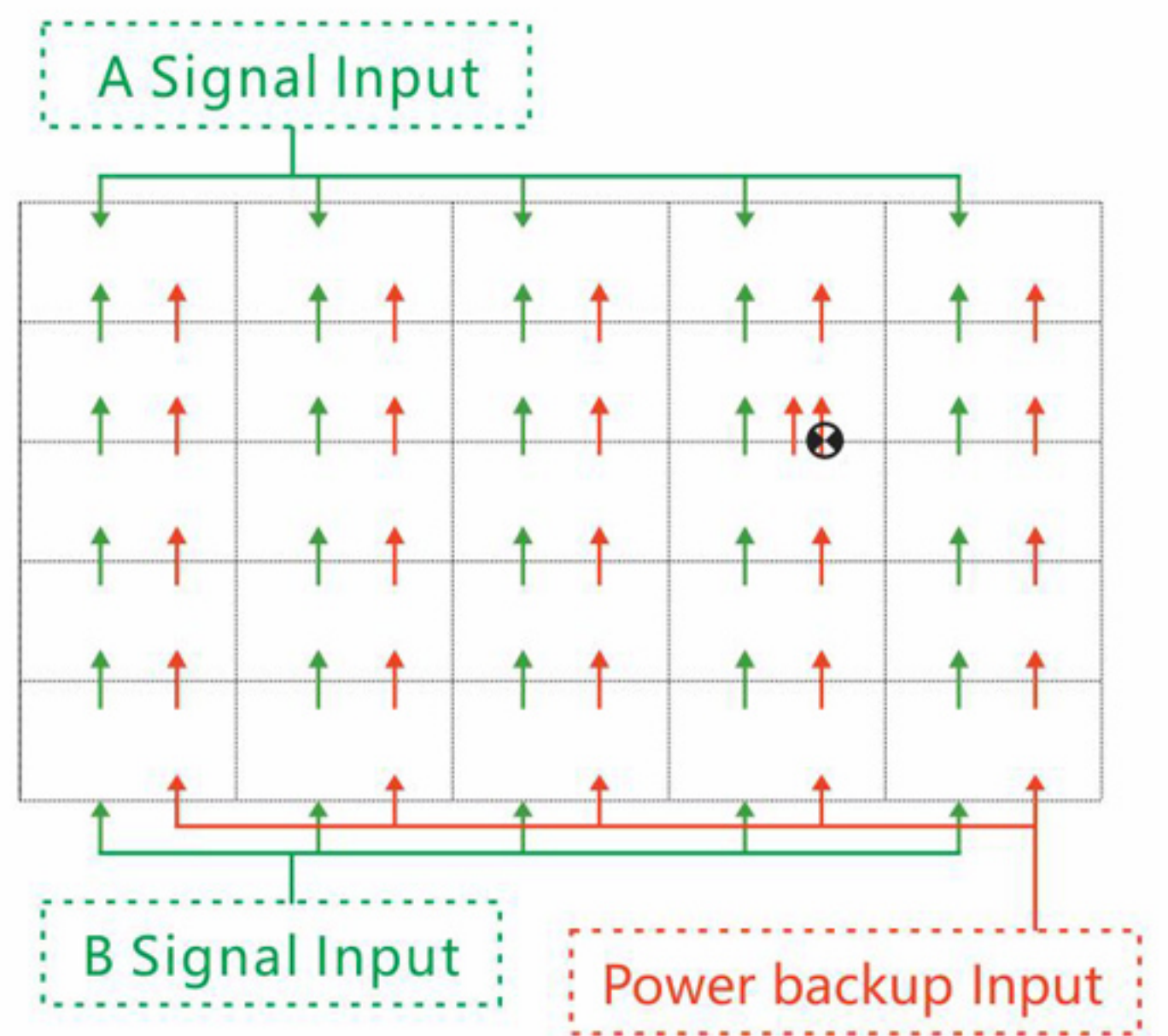
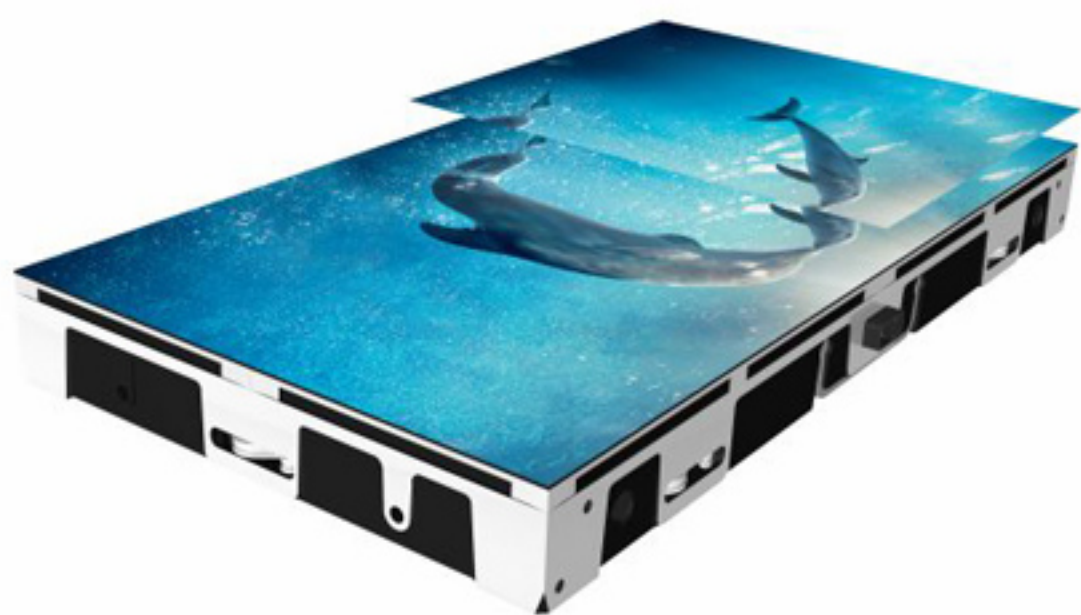
## 16:9 Golden Ratio

U series has 16:9 golden ratio and It can apply to FHD/4K/8K image splice. Maximally restoring digital content, avoiding the blurry and deformation caused by image enlargement, shrinkage and stretching. perfectly point-to-point presents image.

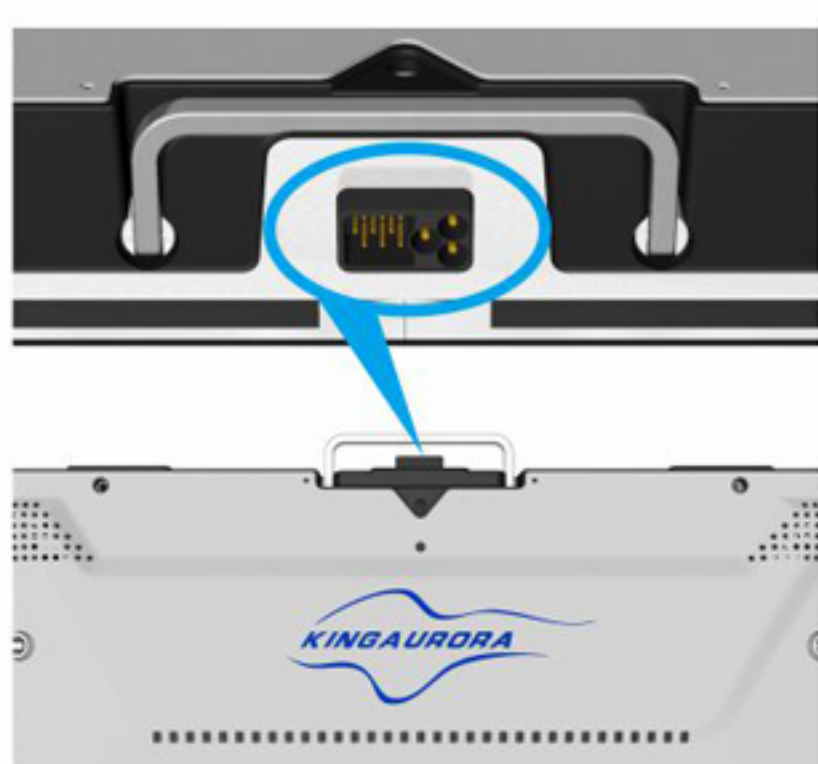


## Backup for Power and Signal

Each panel has two power supplies and two signal circuits. When breakdown appears, backup system start working so panel keep working functioning.



## Cable Free Design



Signal and power connector. (Hidden Connector)

Clean and simple design, no cable shows between panels, simple but great.

## Low Brightness but High Grey Scale

Under low brightness the grey scale is perfect and the scene presents great sense of depth and color saturation. Scene is vivid and eyes will not be tired after long watching.



Clean texture on dark portion



Blurry texture on dark portion

## Perfect Wide Viewing Angle

Concave and convex design can be perfectly implemented by ground support with customized angle.

160° Perfect Wide Viewing Angle, outstanding color expression, no splash.

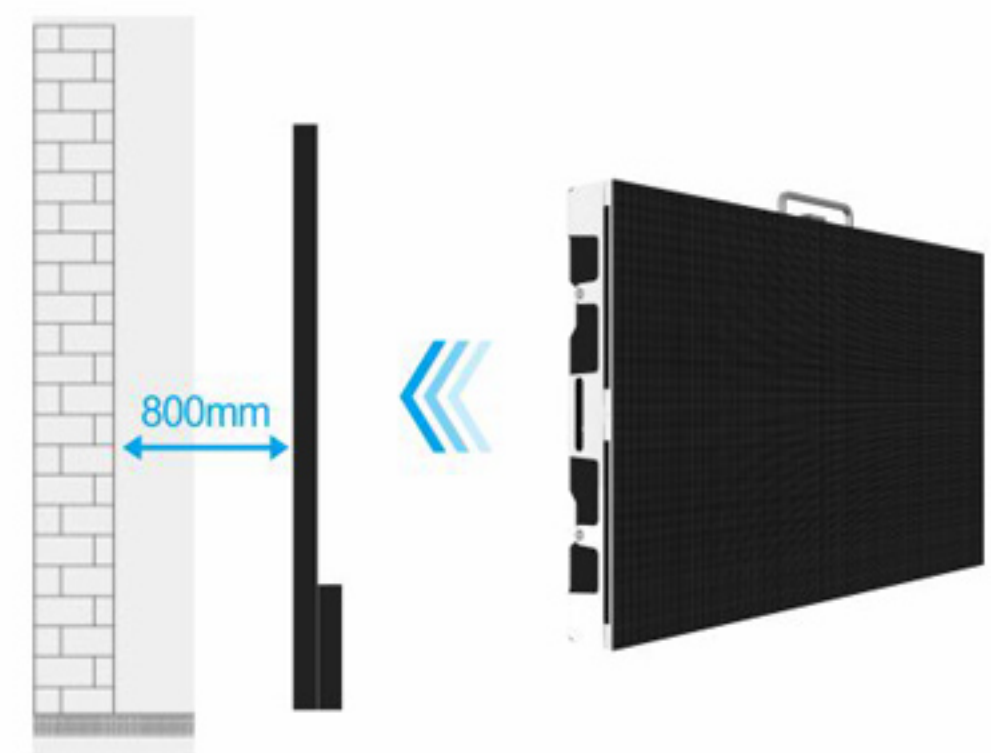
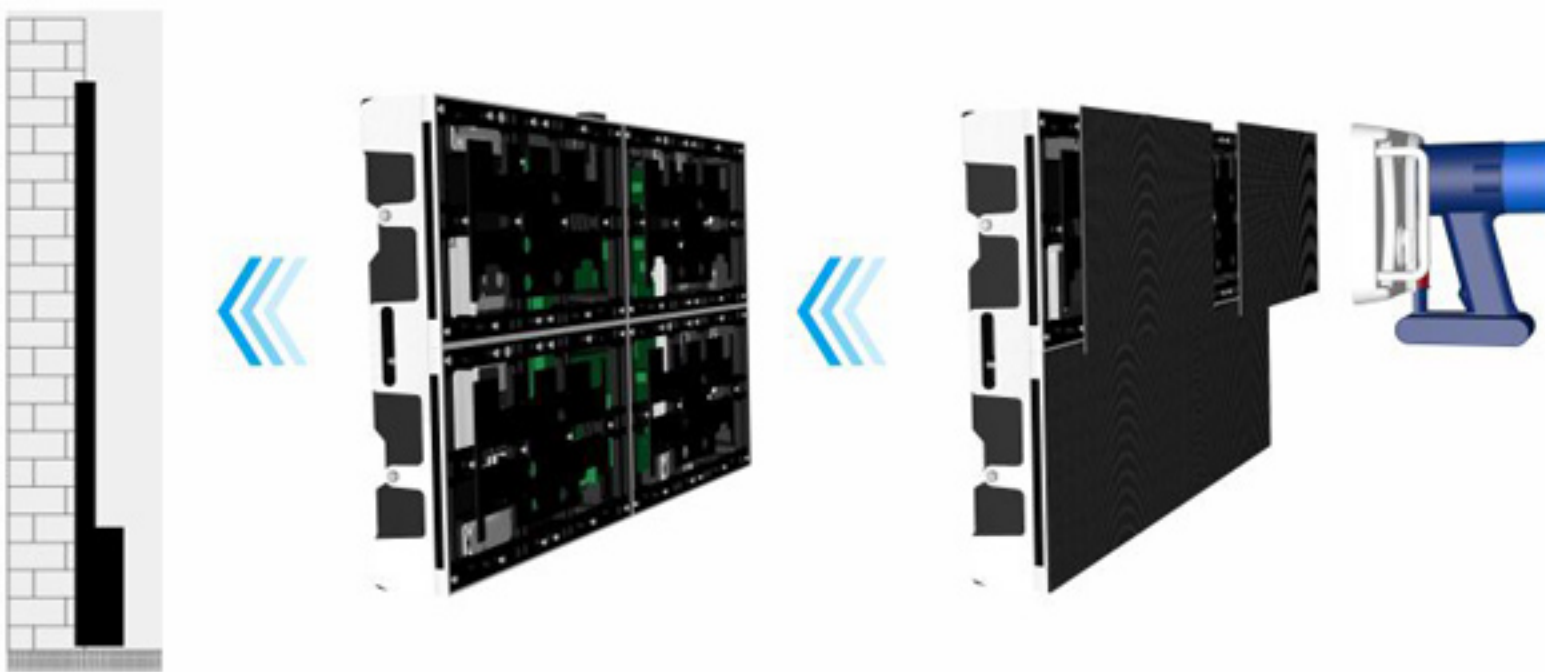


## Front and Back Installation

### Front Installation

No need for maintenance channel: Panels are installed from front side against wall. Thickness of screen is only 150mm.

Step1: Fixing Steelwork on wall; Step2: Installing panels on wall; Step3: Installing modules on Cabinet;

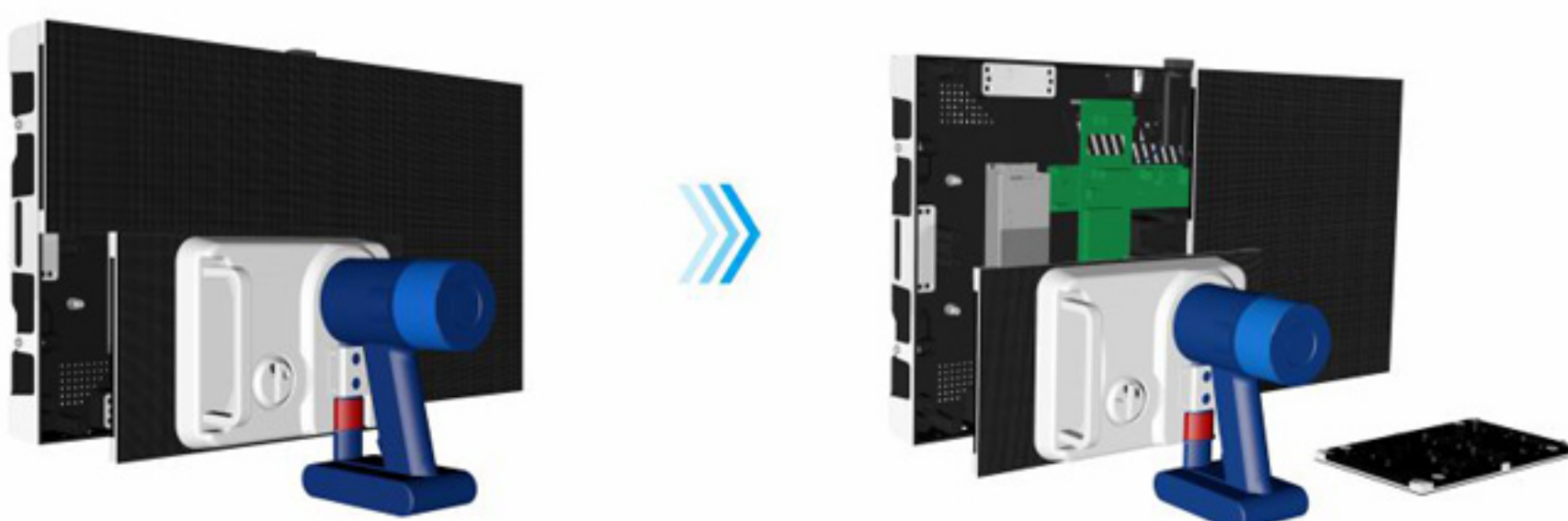


### Back Installation

Need maintenance channel: Panels directly installed from back side. Thickness of screen and the channel is about 800mm.

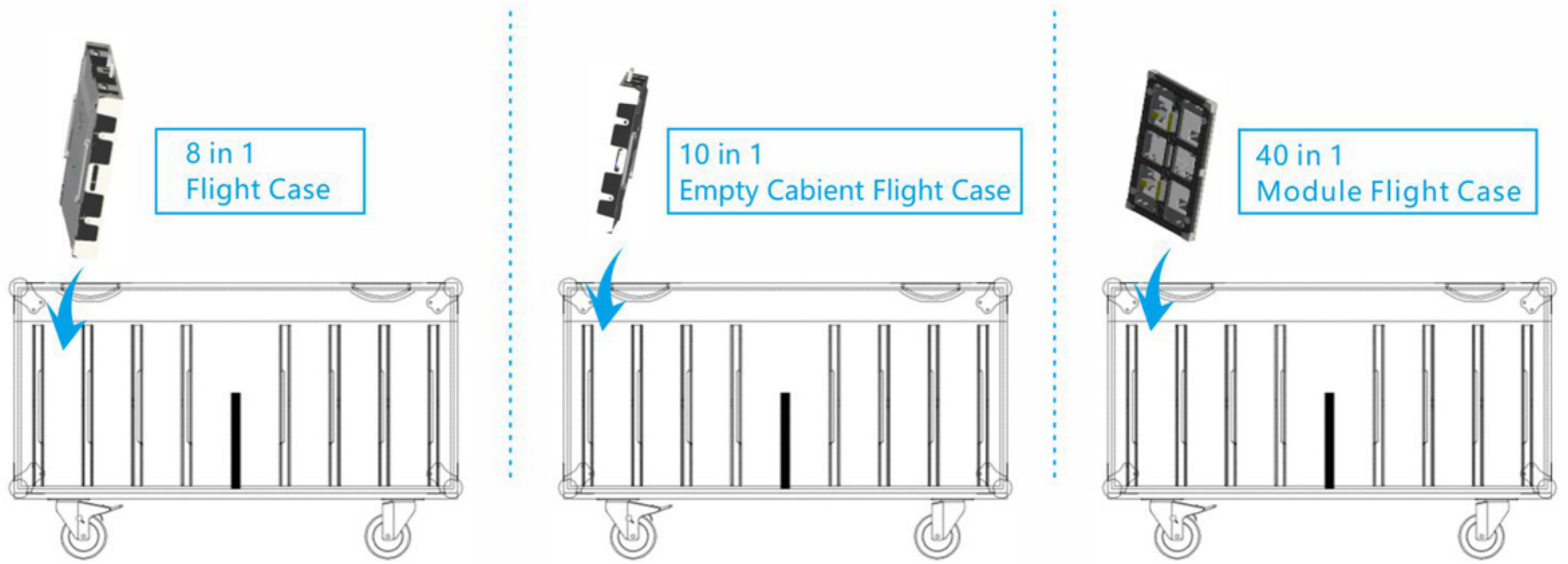
## Front Maintenance

Each Module has magnetic design making screen seamless. Module, power and receiving card can be replaced from front side. Maintenance gets more efficient.



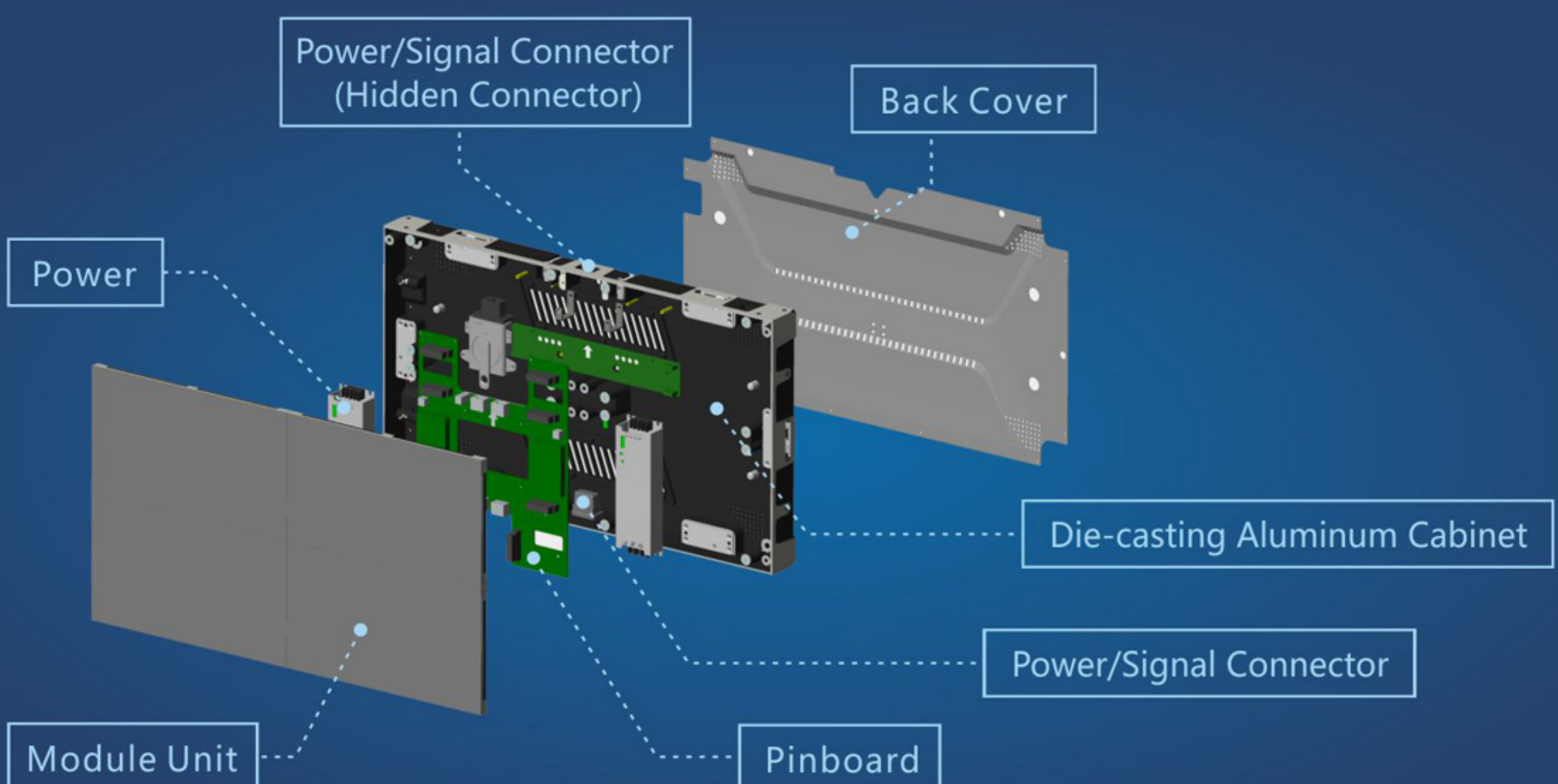
Electronic maintaining tool works efficiently and protects module.

## Package and Transportation



## Product Parameters

Product Name	U1.5	U1.9
Pixel Configuration	SMD1010	SMD1515
Pixel Pitch	1.58mm	1.9mm
Module Dimensions	304x171x12mm	304x171x12mm
Cabinet Dimensions	608x342x72mm	608x342x72mm
Module weight	0.7kg	0.7kg
Cabinet weight	7.6kg	7.6kg
Color Grayscale	14-16bit	14-16bit
Panel material	die-casting aluminum	die-casting aluminum
Refresh Rate	2880~3840Hz	2880~3840Hz
Signal Transmission Distance	CAT5 cable: < 100 m ; Single mode fiber: < 10 km	
Brightness	500 nits(adjustable)	500 nits(adjustable)
Horizontal / Vertical Viewing Angle	160/160°	160/160°
Ac Input Voltage	AC: 100~240V	AC: 100~240V
Ac Input Power Maximum / Average	480/160 W/m <sup>2</sup>	450/150 W/m <sup>2</sup>
Working Temperature	-10 ~ 40°C	-10 ~ 40°C
IP Rating	IP40/IP40	IP40/IP40
Lifetime Typical Value	100000	100000





Monitoring Center



Studio Center



Conference Video

For further details :

UAE Address:  
P3-Hamriyah Business Centre  
PO Box 50235  
Hamriyah Free Zone - Sharjah - UAE.  
E-mail: [info@tgen5.com](mailto:info@tgen5.com)  
Tel : +97143488459

[WWW.TGEN5.COM](http://WWW.TGEN5.COM)