

TG-530M



SOLUTIONS SECURING YOUR WORLD

KEY FEATURES

- 5 Megapixel Vandal-proof Speed Dome Network Camera
- Smart Stream / Smart IR II
- 120dB Super WDR
- 30X Optical Zoom
- Video Content Analysis
- Smart PTZ Motion Detection
- IR Distance up to 200m
- PoE PTZ
- 255 Preset Positions

SPECIFICATIONS

Description	5MP PTZ Dome, 120dB SuperWDR, 30X optical 16x digital, PoE/24AC	
Camera	Image Sensor	1/2.8" Progressive Scan CMOS
	Min. Illumination	Color :0.005 Lux @ F1.2,
		B/W : 0 Lux with IR on
	WDR	120dB Super WDR
	Shutter Time	1/100000s~1s
	IR Distance	Up to 200m
	Day&Night	ICR Filter Auto Switch
S/N	>55dB	
Lens	Lens	4.7~141mm, 30X Optical Zoom
	Focus Control	Auto/Semi-Auto/Manual
	Iris Control	Auto
Video	Max. Image Resolution	2592 x 1944
	Video Compression	H.265+/H.265 (HEVC) /H.264+/H.264/MJPEG
	Video Bit Rate	16Kbps ~ 16Mbps (CBR/VBR Adjustable)
	Primary Stream	30fps @ (2592x1944),45fps @ (2048x1536), 60fps @ (1920x1080, 1280x960
	Secondary Stream	60fps @ (704x576,640x480,640x360,352x288,320x240,320x192,320x180)
	Tertiary Stream	30fps @ (1920x1080,1280x720,704x576,640x480,640x360,320x240,320x192,
Network	Ethernet	1xRJ45 10M/100M Ethernet Port
	Network Storage	NAS(Support NFS, SMB/CIFS), ANR
	Protocol	IPv4/IPv6, ARP, TCP, UDP, RTP, RTSP, RTCP, HTTP, HTTPS, DNS, DDNS, DHCP, SSL, FTP, NTP, SMTP, SNMP, UPnP, Bonjour, SIP, PPPoE, VLAN, 802.1x, QoS, IGMP, ICMP,
System	Storage	Support microSD / SDHC / SDXC Card Local Storage,upto 256GB
	Advanced Function	Privacy Masking,BLC,HLC,2DDNR,3DDNR, ROI, Defog, AWB, EIS, IP Address Filtering, AGC, Anti-flicker, Corridor Mode, Deblur, Watermark
	SIP/VoIPSupport	Yes, Voice & Video-over-IP
	Event Trigger	Motion Detection, Network Disconnection, External Input,Audio Alarm,etc
	Event Action	FTP Upload, SMTP Upload, SD Card Record, External Output, SIP Phone, PTZ Motion, HTTP Notification
	Video Analysis	Region Entrance/Exiting, Advanced Motion Detection, Tamper Detection, Line Crossing, Human Detection, People Counting, Object Left, Object Removed
	System Compatibility	ONVIF Profile G & Q & S & T, API
General	Working Temperature	-40C~60C, Humidity 0~90% (Non-condensing)
	Power Supply	PoE (802.3at) / AC 24V / 3A±10%
	Power Consumption	13.5W MAX / 25.5W MAX (With IR on)
	Weather Proof Housing	Upto IP66-rated for Weather-resistant Performance Vandal-proof IK10- rated Metal Housing
	Dimensions/Weight	205mmX308mm/4Kg

ACCESSORIES



P-530M
Pole mount



ECB-530M
External Corner Bracket



WM-530M
Wall mount



PM-530M
Pendant Mount

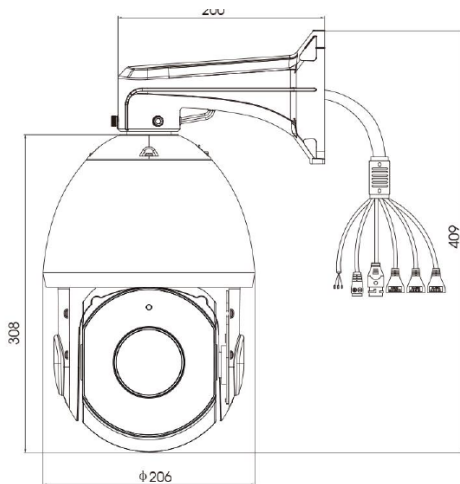


EL-530M
Extension Lever



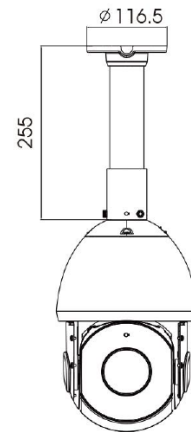
JB-530M
Junction box

DIMENSIONS



Wall Mount

Units: mm



Ceiling Mount

PARTCODE

DESCRIPTION

TG-530M

5MP PTZ dome, 120dB Super WDR, 30X Optical 16x digital, upto 200mtr IR, audio, microSD upto 256Gb, 60°C, Alarms, PoE/24AC

UAE Address:
P3-Hamriyah Business Centre
PO Box 50235
Hamriyah Free Zone - Sharjah - UAE.
E-mail: info@tgen5.com
Tel: +97143488459

[HTTPS://TGEN5.COM](https://tgen5.com)