

TG-BM522P



SOLUTIONS SECURING YOUR WORLD

KEY FEATURES

- 5MP 12X H.265 Mini PoE PTZ Bullet Network Camera
- Smart Stream / Smart IR II
- 120dB Super WDR
- 12X Optical Zoom
- Video Content Analysis
- Smart PTZ Motion Detection
- 255 Preset Positions
- Keyboard Control
- Breathable Screw-in Vent

SPECIFICATIONS

Description	5MP mini PTZ bullet, H.265+, 120dB Super WDR, 12X Optical 16X digital, IP66.	
Camera	Image Sensor	1/2.8" Progressive Scan CMOS
	Min. Illumination	Color: 0.005Lux @F1.2,
		B/W: 0Lux with IR on
	WDR	120dB Super WDR
	Shutter Time	1/100000s~1s
	IR Distance	Up to 50m
	Day&Night	ICR Filter Auto Switch
S/N	>55dB	
Lens	Lens	2 Motorized 2.7~13.5mm/3.0~10.5mm/7~22mm@F1.4 P-Iris (Optional)
	Focus Control	Auto/Semi-Auto/Manual
	Iris Control	Auto
Video	Max. Image Resolution	2592x1944
	Video Compression	H.265+/H.265(HEVC)/H.264+/H.264/MJPEG
	Video Bit Rate	16Kbps~16Mbps (CBR/VBR Adjustable)
	Primary Stream	30fps@(2592x1944),45fps@(2048x1536),60fps@(1920x1080) 20fps@(2592x1944)
	Secondary Stream	30fps@(704x576, 640x480, 640x360, 352x288, 320x240, 320x192, 320x180)
	Tertiary Stream	30fps@(1920x1080, 1280x720, 704x576, 640x480, 640x360, 320x240, 320x192,
Network	Ethernet	1*RJ45 10M/100M Ethernet Port
	Network Storage	NAS(Support NFS, SMB/CIFS)
	Protocol	IPv4/IPv6, ARP, TCP, UDP, RTP, RTSP, RTCP, HTTP, HTTPS, DNS, DDNS, DHCP, FTP, NTP, SMTP, SNMP, UPnP, Bonjour, SIP, PPPoE, VLAN, 802.1x, QoS, IGMP, ICMP,
System	Storage	Support microSD/SDHC/SDXC Card Local Storage, up to 256G
	Advanced Function	Privacy Masking,BLC,HLC,2DDNR,3DDNR,ROI, efog, AWB, EIS, IP Address Filtering,
	SIP/VoIPSupport	Yes, Voice & Video-over-IP
	Event Trigger	Motion Detection, Network Disconnection,etc.
	Event Action	FTP Upload, SMTP Upload, SD Card Record, External Output SIP Phone,
	Video Analysis	Region Entrance/Exiting, Advanced Motion Detection, Tamper Detection, Line Crossing, Human Detection, People Counting, Object Left
	System Compatibility	ONVIF Profile S & G & T
General	Working Temperature	-40C~60C, Humidity 0~90% (Non-condensing)
	Power Supply	DC 12V/2A±10% / PoE (802.3at)
	Power Consumption	10.5W MAX, 20W MAX (With IR on)
	Weather Proof Housing	Upto IP66-rated for Weather-resistant Performance
	Dimensions	160mmX273.5mmX210mm (Wall Mount)/ 218mmX120mmX172mm (Pedestal Mount)

ACCESSORIES



A01 Pole mount

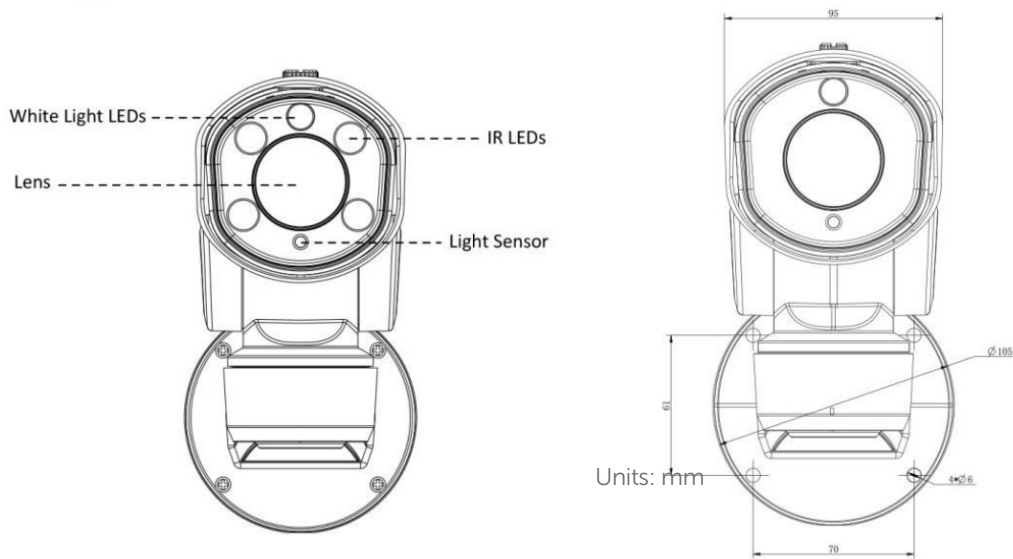


A03 External corner bracket



A62 Junction Box

DIMENSIONS



PARTCODE

TG-BM522P

DESCRIPTION

5MP miniPTZ bullet, H.265+, 120dB Super WDR, upto 140mtr IR, 12X Optical 16X digital, 255presets, IP66.

UAE Address:
P3-Hamriyah Business Centre
PO Box 50235
Hamriyah Free Zone - Sharjah - UAE.
E-mail: info@networkvideosolutionsfze.com
Tel : +97148828919