



TG-264SB



SOLUTIONS SECURING YOUR WORLD

KEY FEATURES

- 2MP Bullet Day/Night Vandal proof Camera
- Smart IR, up to 50m IR distance
- 140dB Super WDR
- Smart Streams
- ONVIF Profile G & Q & S & T, API
- Min. Illumination 0.002Lux@F1.2
- 2.8 ~ 12mm, AF automatic focusing and motorized zoom lens
- Integrated Junction Box
- IP67

SPECIFICATIONS

Description	2MP, H.265+, 30fps, Vandal-proof Motorized Mini Bullet Network Camera	
Camera	Image Sensor	1/2.8" Progressive Scan CMOS
	Lens	Motorized 2.7~13.5mm (Optional 3.0~10.5mm/7~22mm @ F1.4)
	Angle of View(H)	H88°~H32°
	Angle of View (V)	V49°~V18°
	Angle of View (D)	D102°~D37°
	Shutter	1/1000000s~1s
	Minimum Illumination	Color: 0.002Lux @ F1.2 / Color: 0.005Lux @ F1.4/ B/W: 0Lux with IR on
	Day/Night	Day/Night/Auto/Customize/Schedule
	Digital noise reduction	2D/3D DNR
	IR Range	Up to 50m
	WDR	140dB Super WDR
Video	Video Compression	H.265+/H.265(HEVC)/H.264+/H.264/MJPEG
	Frame Rate	30fps@(1920x1080, 1280x960, 1280x720, 704x576)
	Image Setting	Brightness/Contrast/Saturation/Sharpness
	ROI/Privacy mask	Up to 8 areas
System	Video Analysis	Region Entrance, Region Exiting, Advanced Motion Detection, Tamper Detection, Line Crossing, Loitering, People Counting, Object Left
	Advanced Function	BLC, HLC, 2D DNR, 3D DNR, Defog, AWB, EIS, IP Address Filtering, AGC, Anti-flicker, Corridor Mode, Deblur, Watermark
	Event Trigger	Motion Detection, Network Disconnection
	System Compatibility	ONVIF Profile G & Q & S & T, API
Storage	Storage	Support microSD/SDHC/SDXC Card Local Storage, up to 256G
Network	Protocols	IPv4/IPv6, ARP, TCP, UDP, RTCP, RTP, RTSP, RTMP, HTTP, HTTPS, DNS, DDNS, DHCP, FTP, NTP, SMTP, SNMP, UPnP, Bonjour, SIP, PPPoE, VLAN, 802.1x, QoS, IGMP, ICMP, SSL
	Network Storage	NAS(Support NFS, SMB/CIFS), ANR
Interface	Ethernet	1*RJ45 10M/100M Ethernet Port
General	Power	PoE (802.3af) / DC 12V±10%
		Power consumption: 8W MAX, 11.5W MAX (With IR on)
	Operating Conditions	40°C ~ 60°C, 0~90%(Non-condensing)
	Ingress Protection Level	Vandal-proof IK10-rated Metal Housing / Up to IP67-rated
Dimensions	76mmX239.5mm	

ACCESSORIES



PM - 264SB
Pole mount

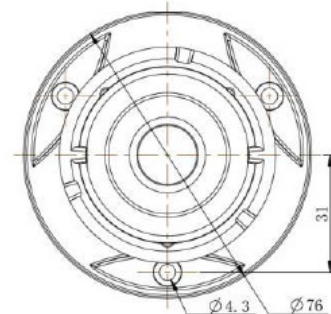
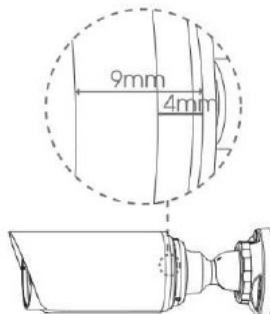
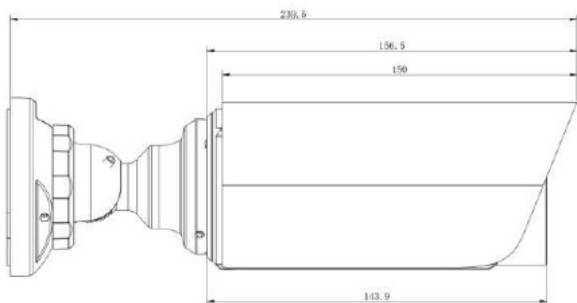


WM- 264SB
Internal Corner box



JB- 264SB
Junction Box

DIMENSIONS



PARTCODE

TG-264SB

DESCRIPTION

2MP, @ 30fps,H.265+, Vandal-proof Motorized 2.7~13.5mm Mini Bullet Network Camera 140db True WDR, DC12v/POE, IP67,IK10

UAE Address:
P3-Hamriyah Business Centre
PO Box 50235
Hamriyah Free Zone - Sharjah - UAE.
E-mail: info@tgen5.com
Tel : +97143488459