



TG-512BZ



SOLUTIONS SECURING YOUR WORLD

KEY FEATURES

- 5MP@20fps H.265+ 12x optical zoom Bullet Camera
- Smart IR, IR distance up to 120m
- 120dB Super WDR
- Smart Streams
- ONVIF Profile G & Q & S & T, API
- High Light Compensation (HLC)
- Video Content Analysis
- IP67 & IK10

SPECIFICATIONS

Description	5MP@20fps H.265+ 12x optical zoom Bullet, SuperWDR 120dB, IR120m, IP67, PoE,	
Camera	Image Sensor	1/2.8" Progressive Scan CMOS
	Lens options	Motorized 5.3~64mm, 12X Optical Zoom
	Angle of View(H)	H57°~H4°
	Angle of View (V)	V44°~V1°
	Angle of View (D)	D69°~D5°
	Shutter	1/100000s~1s
	Minimum Illumination	Color : 0.005Lux@F1.2
	Day/Night	Day/Night/Auto/Customize/Schedule
	Iris Control	Auto
	IR Range	Up to 120m
	WDR	120dB Super WDR
Video	Video Compression	H.265+/H.265(HEVC)/H.264+/H.264/MJPEG
	Primary Stream	30fps@(2592x1944), 45fps@(2048x1536), 60fps@(1920x1080)
	Secondary Stream	30fps@(704x576, 640x480, 640x360, 352x288, 320x240, 320x192, 320x180)
	Tertiary Stream	30fps@(1920x1080, 1280x720, 704x576, 640x480, 640x360, 320x240, 320x192, 320x180)
	ROI/Privacy mask	Up to 8 areas
Audio	Audio Compression	G.711/AAC/G.722/G.726
	Two-way Audio	Support
System	Video Analysis	Region Entrance, Region Exiting, Advanced Motion Detection, Tamper Detection, Line Crossing, Loitering, People Counting, Object Left/Removed
	Advanced Function	BLC, HLC, 2D DNR, 3D DNR, Defog, AWB, EIS, IP Address Filtering, AGC, Anti-flicker, Corridor Mode, Deblur, Watermark
	Event Trigger	Motion Detection, Network Disconnection, External Input, Audio Alarm, etc
	System Compatibility	ONVIF Profile G & Q & S & T, API
Storage	Storage	Support microSD/SDHC/SDXC Card Local Storage, up to 256G
Network	Protocols	IPv4/IPv6, ARP, TCP, UDP, RTCP, RTP, RTSP, RTMP, HTTP, HTTPS, DNS, DDNS, DHCP, FTP, NTP, SMTP, SNMP, UPnP, Bonjour, SIP, PPPoE, VLAN, 802.1x, QoS, IGMP, ICMP, SSL
	Network Storage	NAS(Support NFS, SMB/CIFS), ANR
Interface	Ethernet	1xRJ45 10M/100M Ethernet Port
General	Power	PoE (802.3af) / DC 12V±10%
	Power consumption:	11W MAX (With IR on)
	Operating Conditions	40°C ~ 60°C, 0~90%(Non-condensing)
	Weather Proof	Up to IP67-rated for Weather-resistant Performance
	Dimensions	134mmX126mmX285mm
	Weight	1080g

ACCESSORIES



PM-512BZ
Pole Mount



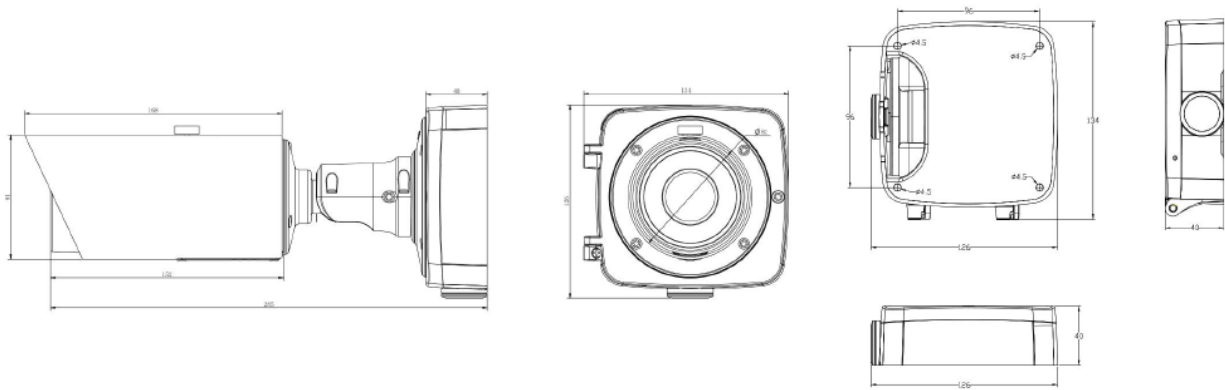
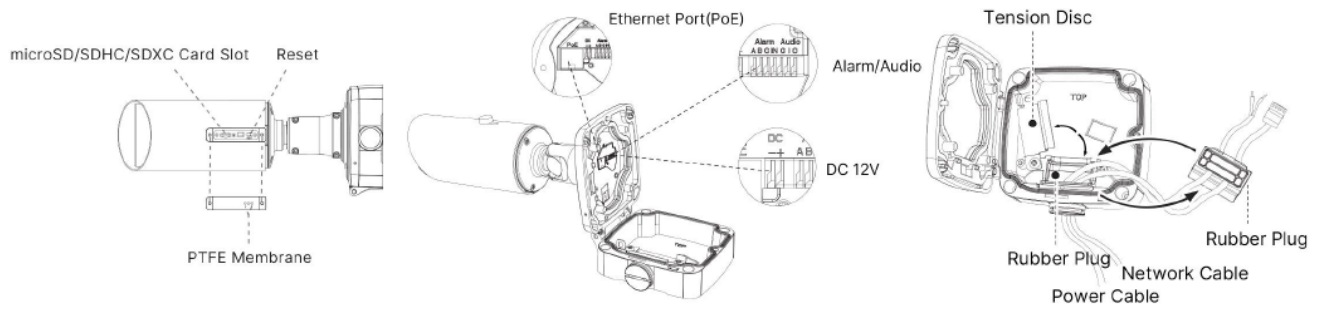
ECB-512BZ
External Corner Bracket



JB-512BZ
External Corner Bracket

DIMENSIONS

Structure Diagram



Units : mm

PARTCODE

DESCRIPTION

TG-512BZ

5MP@20fps H.265+ 12x optical zoom Bullet, Color:0.005Lux, SuperWDR 120dB, IR120m, IP67, PoE, Supports VCA, microcard upto 256Gb, Multi port: Alarm I/O, Audio I/O, DC 12V

UAE Address:
P3-Hamriyah Business Centre
PO Box 50235
Hamriyah Free Zone - Sharjah - UAE.
E-mail: info@tgen5.com
Tel : +97143488459

WWW.TGEN5.COM