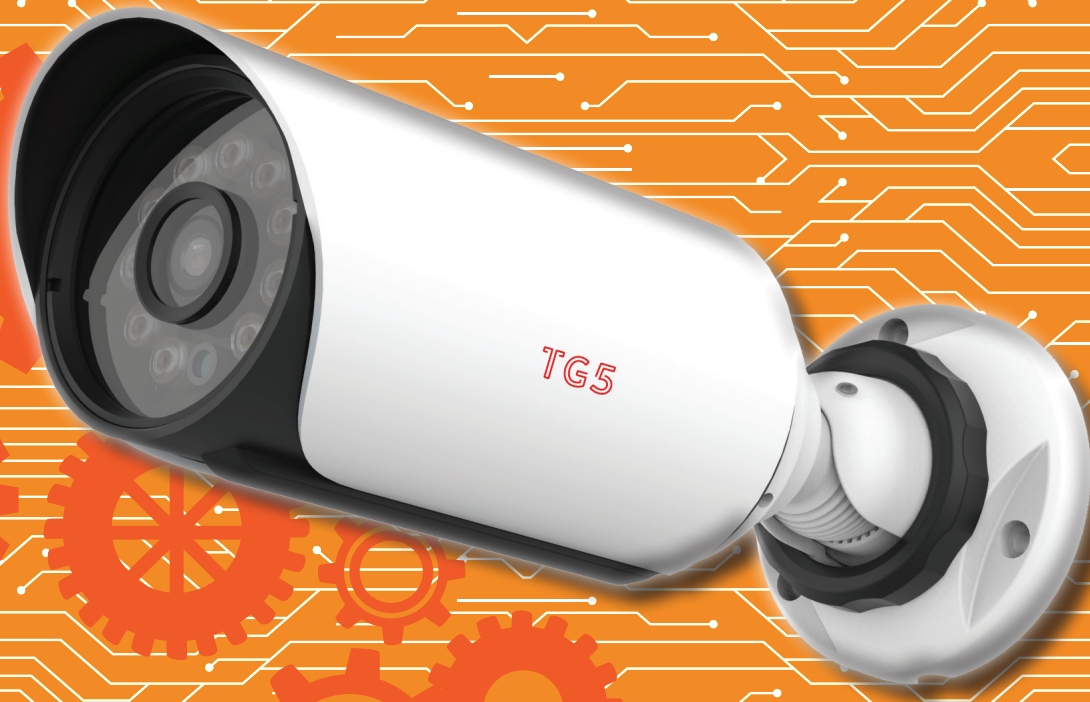




# TG-562PB



**SOLUTIONS SECURING YOUR WORLD**

## KEY FEATURES

- 5MP mini Bullet Motorised Lens, Day/Night Vandal proof Camera
- Smart IR, up to 60m IR distance
- 120dB Super WDR
- Smart Streams
- ONVIF Profile G & Q & S & T, API
- Advanced Functions
- 256GB Supports External Storage
- IP67 & IK10

# SPECIFICATIONS

<b>Description</b>	5MP, H.265+, 30fps, Vandal-proof Motorised Lens Pro Bullet Network Camera	
<b>Camera</b>	Image Sensor	1/2.8" Progressive Scan CMOS
	Lens options	Motorized 3.0~10.5mm/2.7~13.5mm/7~22mm @ F1.4
	Angle of View(H)	H90°~H15°
	Angle of View (V)	V67°~V11°
	Angle of View (D)	D114°~D19°
	Shutter	1/100000s~1s
	Minimum Illumination	Color : 0.005Lux @ F1.2
	Day/Night	Day/Night/Auto/Customize/Schedule
	Digital noise reduction	2D/3D DNR
	IR Range	Up to 60m
	WDR	120dB Super WDR
<b>Video</b>	Video Compression	H.265+/H.265(HEVC)/H.264+/H.264/MJPEG
	Primary Stream	30fps @ (2048x1536, 1920x1080,1280x960, 1280x720, 704x576)
	Secondary Stream	30fps @ (704x576, 640x480, 640x360, 352x288, 320x240, 320x192, 320x180)
	Tertiary Stream	30fps @ (1920x1080, 1280x720, 704x576, 640x480, 640x360, 320x240, 320x192, 320x180)
	Image Setting	Brightness/Contrast/Saturation/Sharpness
	ROI/Privacy mask	Up to 8 areas
<b>System</b>	Video Analysis	Region Entrance, Region Exiting, Advanced Motion Detection, Tamper Detection, Line Crossing, Loitering, People Counting, Object Left/Removed
	Advanced Function	BLC, HLC, 2D DNR, 3D DNR, Defog, AWB, EIS, IP Address Filtering, AGC, Anti-flicker, Corridor Mode, Deblur, Watermark
	Event Trigger	Motion Detection, Network Disconnection, External Input, Audio Alarm, etc
	System Compatibility	ONVIF Profile G & Q & S & T, API
<b>Storage</b>	Storage	Support microSD/SDHC/SDXC Card Local Storage, up to 256G
<b>Network</b>	Protocols	IPv4/IPv6, ARP, TCP, UDP, RTCP, RTP, RTSP, RTMP, HTTP, HTTPS, DNS, DDNS, DHCP, FTP, NTP, SMTP, SNMP, UPnP, Bonjour, SIP, PPPoE, VLAN, 802.1x, QoS, IGMP, ICMP, SSL
	Network Storage	NAS(Support NFS, SMB/CIFS), ANR
<b>Interface</b>	Ethernet	1xRJ45 10M/100M Ethernet Port
<b>General</b>	Power	PoE (802.3af) / DC 12V±10%
		Power consumption: 5W MAX, 9W MAX(With IR on)
	Operating Conditions	40°C ~ 60°C, 0~90%(Non-condensing)
	Ingress Protection Level	Vandal-proof IK10-rated Metal Housing / Up to IP67-rated Weather-resistant
	Dimensions	134mmX126mmX285mm
	Weight	1080g

## ACCESSORIES



**PM-562PB**  
Pole Mount



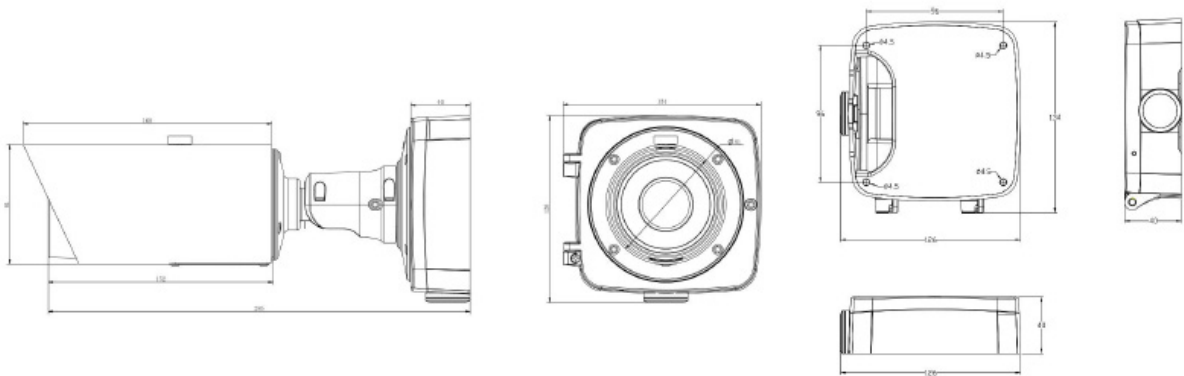
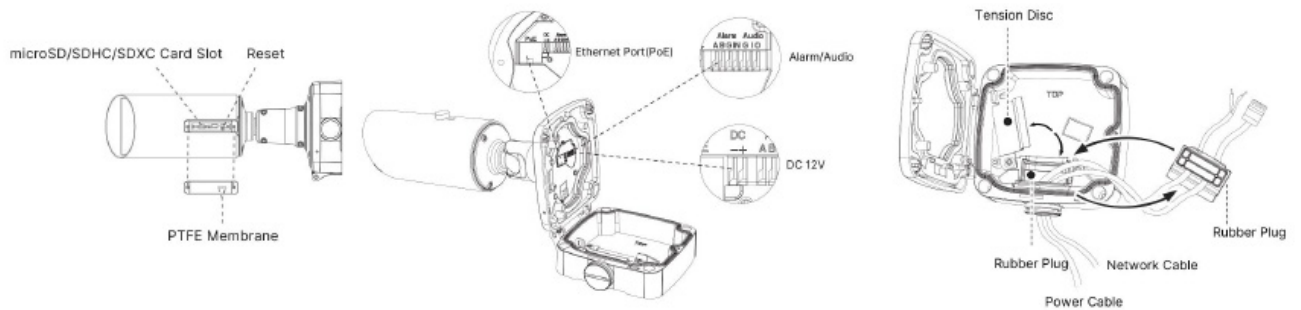
**ICB-562PB**  
Internal Corner Bracket



**ECB-562PB**  
External Corner Bracket

## DIMENSIONS

### Structure Diagram



Units : mm

### PARTCODE

### DESCRIPTION

TG-562PB

5MP, H.265+, 30fps, Vandal-proof Motorized lens 2.7-13.5mm  
Lens Pro Bullet Network Camera, 120db WDR, DC12v/POE, IP67

TG-562PB1

5MP, H.265+, 30fps, Vandal-proof Motorized lens 7-22mm (100m IR  
Distance) Pro Bullet Network Camera, 120db WDR, DC12v/POE, IP67

\*This camera is also available in 60/90/120FPS

UAE Address:  
P3-Hamriyah Business Centre  
PO Box 50235  
Hamriyah Free Zone - Sharjah - UAE.  
E-mail: info@tgen5.com  
Tel : +97143488459

[HTTPS://TGEN5.COM](https://tgen5.com)