



TG-564HB



SOLUTIONS SECURING YOUR WORLD

KEY FEATURES

- 5MP, H.265+ Motorized Lens Vandal-proof Bullet Day/Night Camera
- AI Video Analytics
- Smart IR, up to 50m IR distance
- 120dB Super WDR
- Smart Streams
- Advanced Functions
- Supports 256GB MicroSD
- Adjustable 3-Axis Bracket
- IP67 & IK10

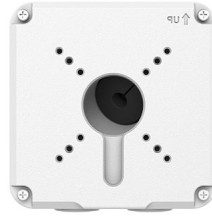
SPECIFICATIONS

Description	5MP@30fps H.265+ Motorized 2.7~13.5mm AI Vandal-proof Bullet, 120dB Super WDR,	
Camera	Image Sensor	1/2.8" Progressive Scan CMOS
	Lens options	Motorized 2.7~13.5mm/3.0~10.5mm/7~22mm@F1.4, P-Iris
	Angle of View(H)	H84°~H13°
	Angle of View (V)	V62°~V10°
	Angle of View (D)	D105°~D17°
	Shutter	1/100000s~1s
	Minimum Illumination	Color : 0.005Lux@F1.2
	Day/Night	Day/Night/Auto/Customize/Schedule
	Digital noise reduction	2D/3D DNR
	IR Range	Up to 50m
	WDR	120dB Super WDR
Video	Video Compression	H.265+/H.265(HEVC)/H.264+/H.264/MJPEG
	Primary Stream	30fps@(2592x1944), 45fps @ (2048x1536), 60fps @ (1920x1080,1280x960,1280x720,704x576)
	Secondary Stream	30fps@(704x576,640x480,640x360,352x288,320x240,320x192,320x180)
	Tertiary Stream	30fps@(1920x1080,1280x720,704x576, 640x480,640x360, 320x240, 320x192,320x180)
	Image Setting	Brightness/Contrast/Saturation/Sharpness
Intelligent Analytics	Video Analysis	Region Entrance, Region Exiting, Advanced Motion Detection, Tamper Detection, Line Crossing, Loitering, People Counting, Object Left\Remove
	Face Detection	Detect and capture faces, get real-time snapshots
	People Counting & Report	Count the number of people entering or exiting, Upto 4 detection areas for regional people counting
System	SIP/ VoIP Support	Voice&Video-over-IP
	Advanced Function	BLC, HLC, 2D DNR, 3D DNR, Defog, AWB, EIS, IP Address Filtering, AGC, Anti-flicker, Corridor Mode, Deblur, Watermark
	Event Trigger	Motion Detection, Network Disconnection
	System Compatibility	ONVIF Profile G & Q & S & T, API
Storage	Storage	Support microSD/SDHC/SDXC Card Local Storage, up to 256G
Network	Protocols	IPv4/IPv6, ARP, TCP, UDP, RTCP, RTP, RTSP, RTMP, HTTP, HTTPS, DNS, DDNS, DHCP, FTP, NTP, SMTP, SNMP, UPnP, Bonjour, SIP, PPPoE, VLAN, 802.1x, QoS, IGMP, ICMP, SSL
	Network Storage	NAS (Support NFS, SMB/CIFS), ANR
Interface	Ethernet	1xRJ45 10M/100M Ethernet Port
General	Power	PoE (802.3af) /DC 12V±10%
		Power consumption: 7W MAX, 9W MAX (With IR on)
	Operating Conditions	40°C ~ 60°C, 0~90%(Non-condensing)
	Ingress Protection Level	Vandal-proof IK10-rated Metal Housing / Up to IP67-rated
	Dimensions	76mm X 239.5mm (Junction Box Version)
Weight	825g(Junction Box Version)	

ACCESSORIES



PM-564HB
Pole Mount



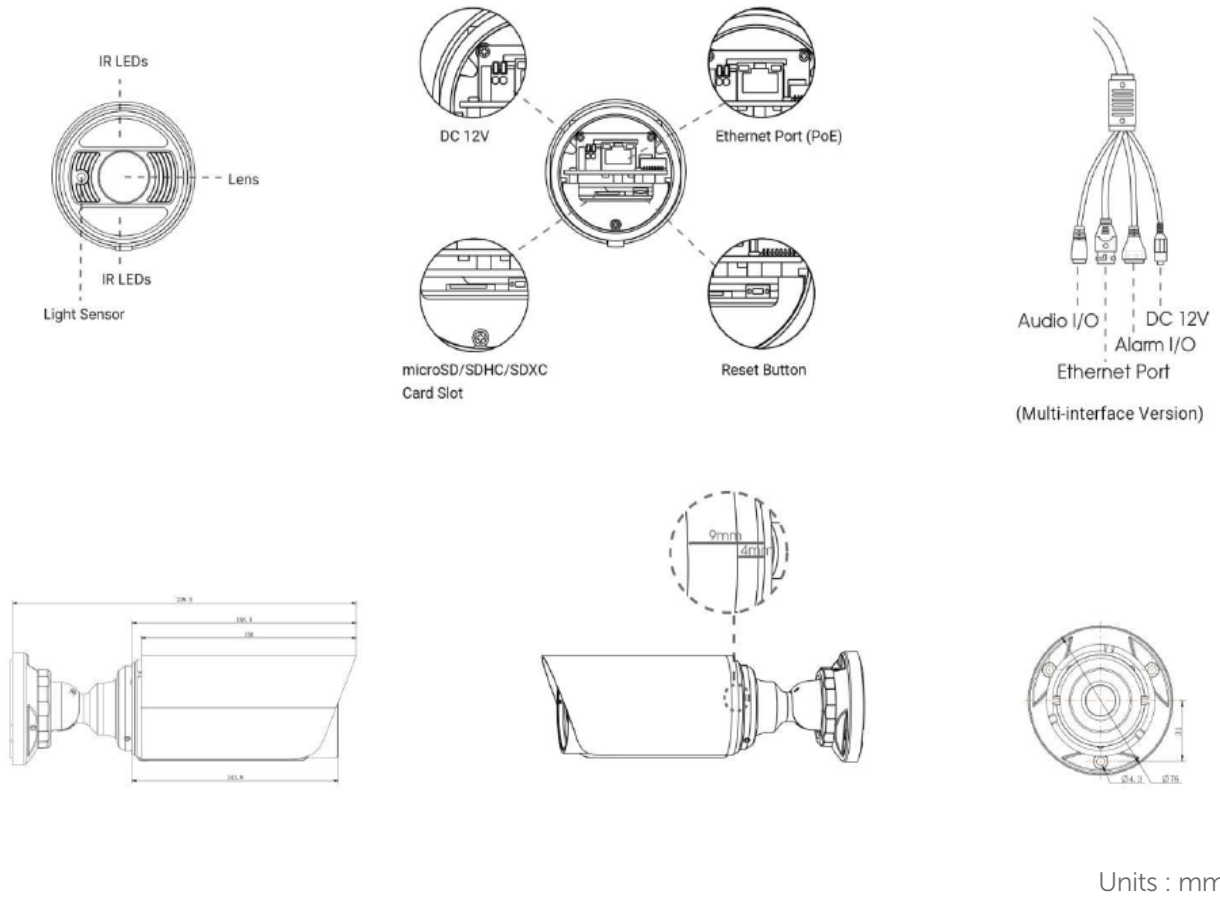
JB-564HB
Internal Corner Bracket



ECB-564HB
External Corner Bracket

DIMENSIONS

Structure Diagram



PARTCODE

TG-564HB

DESCRIPTION

5MP@30fps H.265+ Motorized 2.7~13.5mm AI Vandal-proof Bullet, 120dB Super WDR, IR50mtr, 3-streams, Audio ready, VCA, Face detection, PoE, IK10, IP67.

UAE Address:
P3-Hamriyah Business Centre
PO Box 50235
Hamriyah Free Zone - Sharjah - UAE.
E-mail: info@tgen5.com
Tel : +97143488459

WWW.TGEN5.COM