



TG-BM242



SOLUTIONS SECURING YOUR WORLD

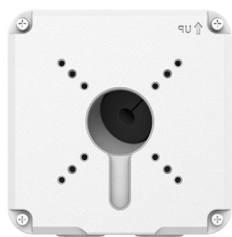
KEY FEATURES

- 4MP Bullet Day/Night Vandal proof Camera
- Smart IR, up to 30m IR distance
- 120dB Optical WDR
- 2D/3D DNR(Digital Noise Reduction)
- Ultra 265, H.265, H.264, MJPEG
- Triple streams
- 2.8 ~ 12mm, AF automatic focusing and motorized zoom lens
- ONVIF Conformance
- IP67

SPECIFICATIONS

Description	4MP, Ultra 265/H.265, 30m IR Bullet	
Camera	Image Sensor	1/3", 4.0 megapixel, progressive scan, CMOS
	Lens	2.8 ~ 12mm, AF automatic focusing and motorized zoom lens
	Angle of View(H)	91° ~ 27°
	Angle of View (V)	54.4° ~ 13.7°
	Angle of View (O)	118.3° ~ 33.2°
	Adjustment angle	Pan: 0°~360°, Tilt: 0°~90° & Rotate: 0°~360°
	Shutter	Auto/Manual, 1~ 1/100000s
	Minimum Illumination	Colour: 0.005Lux (F1.4, AGC ON) 0Lux with IR on
	Day/Night	IR-cut filter with auto switch (ICR)
	Digital noise reduction	2D/3D DNR
	IR Range	Up to 30m (98ft) IR range
	WDR	120dB
Video	Video Compression	Ultra 265, H.265, H.264, MJPEG
	Frame Rate	Main Stream:4MP (2592*1520), Max 20fps; 4MP (2560*1440), Max 25fps; 3MP (2048*1520), Max 30fps; Sub Stream: 2MP (1920*1080), Max 30fps; Third Stream: D1 (720*576), Max 30fps
	HLC/BLC	Supported
	ROI/Privacy mask	Up to 8 areas
Audio	Audio Compression	G.711
Storage	Edge Storage	Micro SD, up to 256GB
Network	Protocols	IPv4, IGMP, ICMP, ARP, TCP, UDP, DHCP, PPPoE, RTP, RTSP, RTCP, DNS, DDNS, NTP, FTP, UPnP, HTTP, HTTPS, SMTP, 802.1x, SNMP, QoS
	Compatible Integration	ONVIF (Profile S, Profile G, Profile T), API
Interface	Audio I/O	Input: impedance 35kΩ; amplitude 2V [p-p], Output: impedance 600Ω; amplitude 2V [p-p]
	Network	1 RJ45 10M/100M Base-TX Ethernet
General	Power	DC 12V±25%, PoE (IEEE 802.3af)
		Power consumption: Max 9W
	Operating Conditions	35°C ~ 60°C (-31°F ~ 140°F), Humidity: ≤95% RH (non-condensing)
	Ingress Protection Level	IP67
Dimensions	253.4 × 86 × 71.7mm (9.98" × 3.4" × 2.8")	

ACCESSORIES



FCM - TG-BM242
False Ceiling mount

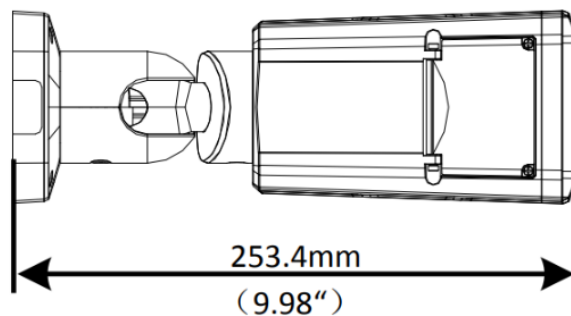
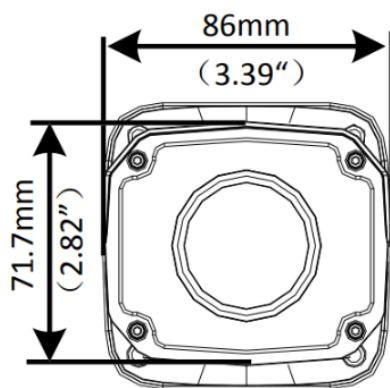


WM- TG-BM242
Wall mount



JB- TG-BM242
Junction Box

DIMENSIONS



PARTCODE

TG-BM242

DESCRIPTION

4MP, Ultra 265/H.265, 30m IR Bullet, 2.8-12mm Motorized lens,
120db WDR, DC12v/POE, IP67

UAE Address:
P3-Hamriyah Business Centre
PO Box 50235
Hamriyah Free Zone - Sharjah - UAE.
E-mail: info@networkvideosolutionsfze.com
Tel : +97148828919

[HTTPS://TGEN5.COM](https://tgen5.com)