



TG-D22FU



SOLUTIONS SECURING YOUR WORLD

KEY FEATURES

- 2MP HD LightHunter IR Fixed Dome network camera
- High quality image with 2MP, 1/2.8" CMOS sensor
- 120dB WDR
- Smart IR, up to 30m IR distance
- Supports Multiple Streams
- 256GB Supports External Storage
- Support PoE power supply
- IP67 & IK10

SPECIFICATIONS

Description	2MP, H.265+,IR Fixed lens 120dB WDR LightHunter Vandal-resistant Dome Camera	
Camera	Image Sensor	1/2.8", 2.0 megapixel, progressive scan, CMOS
	Min. Illumination	0Lux with IR on
		Color : 0.001Lux (F1.35, AGC ON)
	WDR	120dB Optical WDR
	Shutter Time	Auto/Manual, 1 ~ 1/100000s
	IR Distance	Up to 40m
	Day&Night	IR-cut filter with auto switch (ICR)
	S/N	>52dB
	Angle of View (H)	H 106.7°
	Angle of View (V)	V 57.1°
Angle of View (O)	O 115.7°	
Lens	Lens options	2.8mm@F1.6
Video	H.264 code profile	Baseline profile, Main profile, High profile
	Video Compression	Ultra 265, H.265, H.264, MJPEG
	Video Bit Rate	128 Kbps~16 Mbps
	Primary Stream	2MP (1920*1080), Max 30fps; 720P (1280*720), Max 30fps;
	Secondary Stream	720P (1280*720), Max 30fps; D1 (720*576), Max 30fps; 640*360,Max 30fps; 2CIF(704*288), Max 30fps;CIF(352*288), Max 30fps;
	Tertiary Stream	D1 (720*576), Max 30fps; 640*360,Max 30fps; 2CIF(704*288), Max 30fps; CIF(352*288), Max 30fps;
Network	Ethernet	1 x RJ45 10M/100M Ethernet Port
	Network Storage	ANR, NAS (NFS)
	Compatible Integration	ONVIF (Profile S, Profile G, Profile T), API
	Protocol	IPv4, IGMP, ICMP, ARP, TCP, UDP, DHCP, PPPoE, RTP, RTSP, RTCP, DNS, DDNS, NTP, FTP, UPnP, HTTP, HTTPS, SMTP, 802.1x, SNMP, QoS
Audio	Audio Compression	G.711/AAC/G.722/G.726, Supports 2 way Audio
System	Alarm I/O	1 Input: impedance 35kΩ; 1 Output: impedance 600Ω
	Alarm I/O	1/1
	Advanced Function	BLC, HLC, 2D DNR, 3D DNR, Defog, White Balance, Anti-flicker, Corridor Mode, Deblur, Flip Normal/Vertical/Horizontal/180°/90°Clockwise 90°Anti-clockwise
	Smart IR	Supports
	Event Trigger	Motion Detection, Network Disconnection, Audio Alarm, etc.
	Privacy Mask	Up to 4 areas
	Digital Noise Reduction	2D/3D DNR
	Storage	Support microSD/SDHC/SDXC Card Local Storage, up to 256GB
General	Working Temperature	-30°C ~ 60°C (-22°F ~ 140°F), Humidity: ≤95% RH (non-condensing)
	Power Supply	DC 12V±25%, PoE (IEEE 802.3af)
	Power Consumption	Max 5.0W
	Weather Proof, Housing	Up to IP67-rated for Weather-resistant, Vandal-proof IK10-rated Metal Housing
	Dimensions	Ø108.7 x 81.1mm (Ø4.3" x 3.2")

ACCESSORIES



PM-D22FU
Pole mount



IPM-D22FU
Indoor Pedant Mount



JB-D22FU
Junction Box



WM-D22FU
Wall Mount



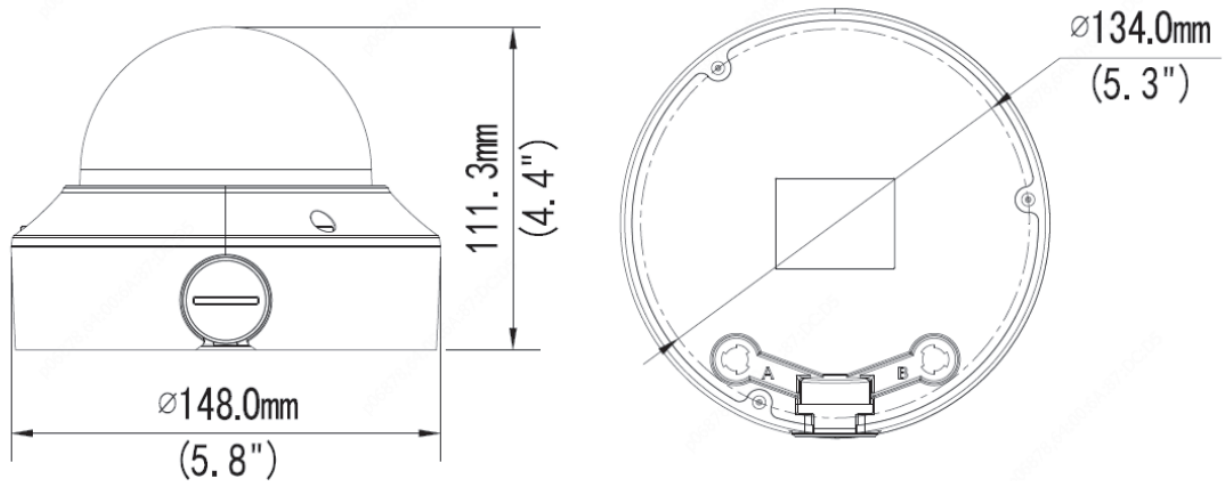
RM-D22FU
Recessed Mount



WJ-D22FU
Waterproof Joint

DIMENSIONS

Structure Diagram



Units: mm

PARTCODE

DESCRIPTION

TG-D22FU

2MP H.265+ Weather-proof, HD LightHunter IR Fixed Dome Network Camera, 120dB WDR, IR30mtr, 3-streams, PoE, IK10, IP67.

UAE Address:
P3-Hamriyah Business Centre
PO Box 50235
Hamriyah Free Zone - Sharjah - UAE.
E-mail: info@tgen5.com
Tel : +97143488459

[HTTPS://TGEN5.COM](https://tgen5.com)