



# TG-D23LU



**SOLUTIONS SECURING YOUR WORLD**

## KEY FEATURES

- 2MP HD LightHunter IR VF Dome Network Camera
- High quality image with 2MP, 1/2.8" CMOS sensor
- 120dB WDR
- Smart IR, up to 40m IR distance
- ONVIF Profile G & Q & S & T, API
- 256GB Supports External Storage
- Support PoE power supply
- IP67 & IK10

# SPECIFICATIONS

<b>Description</b>	2MP, H.265+, 30fps, AF motorized lens 120dB WDR LightHunter IR VF Dome Camera	
<b>Camera</b>	Image Sensor	1/2.8", 2.0 megapixel, progressive scan, CMOS
	Min. Illumination	0Lux with IR on
		Color : 0.0005Lux (F1.2, AGC ON)
	WDR	120dB WDR
	Shutter Time	Auto/Manual, 1 ~ 1/100000s
	IR Distance	Up to 40m
	Day&Night	IR-cut filter with auto switch (ICR)
S/N	>52dB	
<b>Lens</b>	Lens options	2.7 ~ 13.5mm, AF automatic focusing and motorized zoom lens
<b>Video</b>	H.264 code profile	Baseline profile, Main profile, High profile
	Video Compression	Ultra 265, H.265, H.264, MJPEG
	Video Bit Rate	128 Kbps~16 Mbps
	Primary Stream	2MP (1920*1080), Max 30fps; 720P (1280*720), Max 30fps;
	Secondary Stream	720P (1280*720), Max 30fps; D1 (720*576), Max 30fps; 640*360,Max 30fps; CIF(352*288), Max 30fps
Tertiary Stream	D1 (720*576), Max 30fps; 640*360,Max 30fps; 2CIF(704*288), Max 30fps; CIF(352*288), Max 30fps;	
<b>Network</b>	Ethernet	1 x RJ45 10M/100M Ethernet Port
	Network Storage	ANR, NAS(NFS)
	Compatible Integration	ONVIF (Profile S, Profile G, Profile T), API
	Protocol	IPv4, IGMP, ICMP, ARP, TCP, UDP, DHCP, PPPoE, RTP, RTSP, RTCP, DNS, DDNS, NTP, FTP, UPnP, HTTP, HTTPS, SMTP, 802.1x, SNMP, QoS
<b>Audio</b>	Audio Compression	G.711/AAC/G.722/G.726, Built-in Microphone
<b>System</b>	Alarm I/O	1 Input: impedance 35kΩ; 1 Output: impedance 600Ω
	Alarm I/O	1/1
	Advanced Function	BLC, HLC, 2D DNR, 3D DNR, Defog, AWB, EIS, IP Address Filtering, AGC, Anti-flicker, Corridor Mode, Deblur, Watermark
	SIP/VoIP Support	Yes, Voice & Video-over-IP
	Event Trigger	Motion Detection, Network Disconnection, External Input, Audio Alarm, etc.
	Privacy Mask	Up to 4 areas
	Digital Noise Reduction	2D/3D DNR
Storage	Support microSD/SDHC/SDXC Card Local Storage, up to 256GB	
<b>General</b>	Working Temperature	-30C~60C, Humidity 0~95% (Non-condensing)
	Power Supply	DC 12V±25%, PoE (IEEE 802.3af)
	Power Consumption	Max 7.0W
	Weather Proof, Housing	Up to IP67-rated for Weather-resistant, Vandal-proof IK10-rated Metal Housing
	Dimensions	148.0 x 111.4mm (5.8" x4.4")

## ACCESSORIES



PM-D23LU  
Pole mount



IPM-D23LU  
Indoor Pedant Mount



JB-D23LU  
Junction Box



WM-D23LU  
Wall Mount



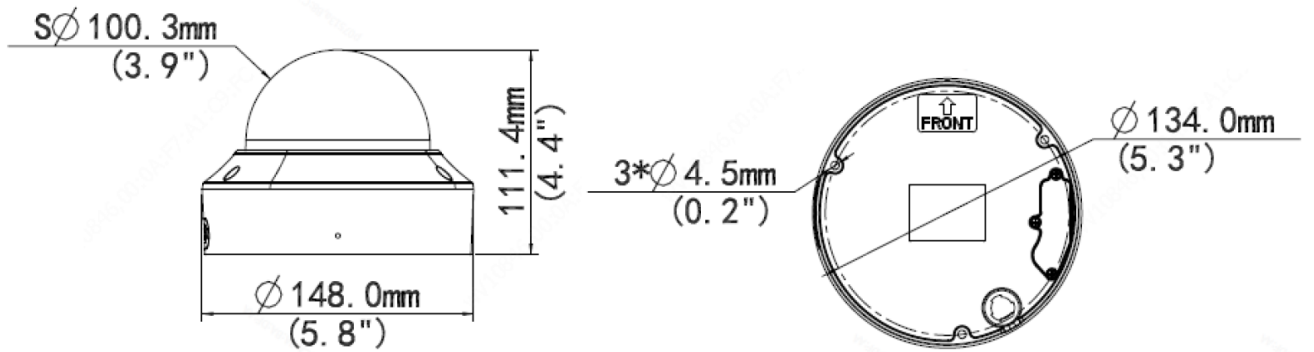
RM-D23LU  
Recessed Mount



RM-D23LU  
Recessed Mount

## DIMENSIONS

Structure Diagram



Units: mm

PARTCODE

DESCRIPTION

TG-D23LU

2MP H.265+ Weather-proof F2.7-13.5mm Motorized Lens Dome, 120dB WDR, IR40mtr, Triple streams, Max 30fps; Built-in Mic, DC12V & PoE IK10, IP67.

UAE Address:  
P3-Hamriyah Business Centre  
PO Box 50235  
Hamriyah Free Zone - Sharjah - UAE.  
E-mail: info@tgen5.com  
Tel : +97143488459

[HTTPS://TGEN5.COM](https://tgen5.com)