



TG-V16FE



SOLUTIONS SECURING YOUR WORLD

KEY FEATURES

- Eight 1080P video modules to stitch one 16MP(4096x1800x2), 360°surrounded video stream
- True starlight technology(0.008lux@F2.0 AGC on) provides vivid color at most scenarios
- 30m Smart IR provides clear and uniform B/W image under no light conditions
- True WDR 120dB, 3D DNR, BLC, HLC
- Covers a large public area (8820m²) or 53m in radius to count people density, record actions
- Alarm driven by multi-rules: people density limit, mask-wearing state, cross line, intrusion, device error
- 5 zones of e-PTZ, 8 zone of privacy masks, and custom logo support
- ONVIF specifications, interoperability between network video products regardless of manufacturer
- IP67, IK10

SPECIFICATIONS

Description	16MP Stitched 360° Panoramic Network Camera	
Camera	Image Sensor	1/2.8" progressive scan CMOS image sensor x 8
	Min. Illumination	Color 0.008Lux @ (F2.0AGC ON)B/W 0.008Lux @ (F2.0AGC ON); 0Lux with IR
	WDR	120dB WDR
	Shutter Time	1/1 s – 1/10,000 s
	IR Distance	Up to 30m
	Day&Night	IR Cut filter
	Digital Zoom	16x
Lens	Lens options	3.3mm lens x 8
	Aperture	F2.0
	FOV	Panoramic image: Horizontal FOV: 2x180°(360°) Vertical FOV: 85°
Video	Max Resolution	4096 x 1800x2, 25/30fps
	Video compression	Smart H.265/H.264/MJPEG
	Primary Stream	4096 x 1800 , 3840 x 1680 , 2784 x 1200 (1~30fps)
	Secondary Stream	2048 x 896, 1280 x 560 , 704 x 320 (1~30fps)
	Tertiary Stream	704 x 320, 512 x 232 (1~30fps)
Network	Ethernet	1 RJ45 10M/100M/1000M Adaptive Ethernet (Support PoE 802.3.bt)
	Protocol	HTTP, HTTPS, IPv4/IPv6, 802.1x, QoS, FTP, SMTP, UPnP, SNMP, DNS, DDNS, NTP, RTSP, RTP, TCP/IP, UDP, IGMP, ICMP, DHCP, PPPoE
Audio	Audio Interface	1CH audio input, 2 to 2.4v[p-p] 1kΩ±10%; 1CH audio output (line out), impedance: 600Ω
	Audio compression	G.711 A/U, and other protocols by software (not by ver 5.01)
Smart Features	Basic event	Motion detection (panorama and original modes support), video tampering alarm, exception (network disconnected, IP address conflict, SD full, SD error)
	Smart Detection	Intrusion detection, line crossing detection, region entrance/region exiting detection
	ePTZ	5 Zones, auto trace movable objects and zoom fit (Not by ver 5.01)
	Alarm Linkage	Upload to FTP/Memory card, notify surveillance center, send email, trigger alarm output, trigger recording, trigger capture
General	Working Temperature	-40°C ~ 65°C (-40°F ~ 149°F), 90%RH less (non-condensing) cold start at - 40°C
	Protection	IP 67, IK 10, 6000V Lightning Protection, Surge Protection and Voltage Transient Protection
	Power Supply	AC24V, DC24V, PoE++ (802.3.bt, class 6), (Max 50W, include IR and Heater on)
	Power Consumption	10W MAX, 12W MAX (With IR on)
	Weather Proof, Housing	IP 67, IK 10, 6000V Lightning Protection, Surge Protection and Voltage Transient Protection
	Dimensions/Weight	273mm x H 180mm(10.7" x 7") / Approx. 3Kg(6.6lb)

ACCESSORIES



PM-V16FE
Pole mount



WM-V16FE
Wall Mount



PM-V16FE
Pendant Mount

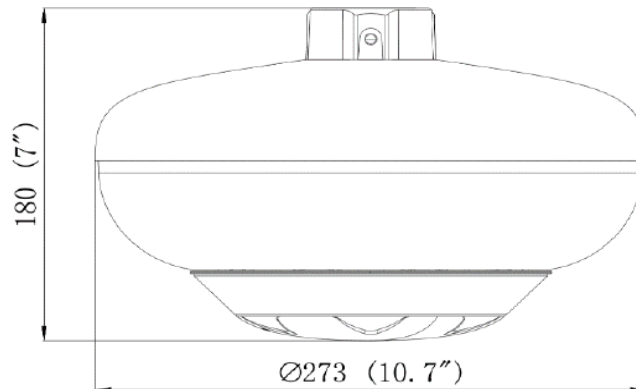


PMB-V16FE
Pendant Mount Bracket



PM-V16FE
Pole Mount

DIMENSIONS



PARTCODE

DESCRIPTION

TG-V16FE

Outdoor Panoramic 16MP (2MP x 8MP) WDR120 dB, IR 30 m, Face Recognition, Audio Ready Dome Network Camera, DC24V, PoE++, IP67/IK10.

UAE Address:
P3-Hamriyah Business Centre
PO Box 50235
Hamriyah Free Zone - Sharjah - UAE.
E-mail: info@tgen5.com
Tel : +97143488459

[HTTPS://TGEN5.COM](https://tgen5.com)