



# TG-V25FD



TG5

SOLUTIONS SECURING YOUR WORLD

## KEY FEATURES

- 2MP IR Water-proof Turret Network Dome Camera
- 10 ~ 20m IR night view distance
- 3D DNR, HLC, BLC, Defog, Smart IR & ROI coding
- Digital WDR
- Built in Mic
- Support dual streams
- DC12V
- Intelligent analytics
- IP67

# SPECIFICATIONS

<b>Description</b>	2MP IR Water-proof Fixed Dome Turret Network Camera	
<b>Camera</b>	Image Sensor	1 / 3.2 "CMOS
	Shutter	1 / 25 s ~ 1 / 100000 s
	Minimum Illumination	0.012lux @F1.2, AGC ON; 0 lux with IR, 0.046 lux @ F2.0, AGC ON; 0 lux with IR
	Lens	2.8 mm @F2.0,(fixed lens), horizontal field of view: 93.7° 3.6 mm @F2.0, (fixed lens),horizontal field of view: 75.8°
	Lens Mount	M12
	IR Distance	Up to 20m
	WDR	Digital WDR
<b>Video</b>	Video Compression	Main stream: H.265 / H.264; Sub stream: H.265 / H.264 / MJPEG
	H.264 Compression	Main Profile @ Leve4.1 High Tier
	Resolution	1080P ( 1920 × 1080 ), 720P ( 1280 × 720 ), D1, 480 × 240, CIF
	Primary Stream	60Hz : 1080P/720P(1~30fps); 50Hz : 1080P/720P(1~25fps)
	Secondary Stream	60HZ : D1/CIF/480×240(1~30fps); 50HZ: D1/CIF/480×240 (1~25fps)
	Bit Rate	64 Kbps ~ 6 Mbps
	Image Settings	ROI, Saturation, Brightness, Hue, Contrast,Wide Dynamic, Sharpness,
	ROI	Each ROI to be configured separately
	Audio Compression	G711A/U
<b>System</b>	Remote Monitoring	Web browsing,CMS remote control
	Online Connection	Support simultaneous monitoring for up to 3 users,; Support multi-stream real time transmission
	Interface Protocol	ONVIF
	Smart Alarm	Motion detection
	Intelligent Analytics	Region intrusion detection, video blur detection and line crossing detection
	Function	Watermark, IP address filtering, video mask, heartbeat, illegal loginlock
<b>Storage</b>	Storage	Network remote storage
<b>Network</b>	Protocols	UDP, IPv4, IPv6,DHCP, NTP, RTSP, PPPoE, DDNS, SMTP, FTP, 802.1x, UPnP, HTTP, HTTPS, QoS
<b>Interface</b>	Ethernet	1*RJ45 10M/100M Ethernet Port
<b>General</b>	Power	DC12V
		Power consumption: < 5 W
	Operating Conditions	- 20 °C ~ 55 °C (-4°F~131°F) Humidity: less than 95 % (non condensing)
	Dimensions	94.8 × 82.8
Weight	Approx. 0.287Kg	

## ACCESSORIES



PM-V25FD  
Pole Mount



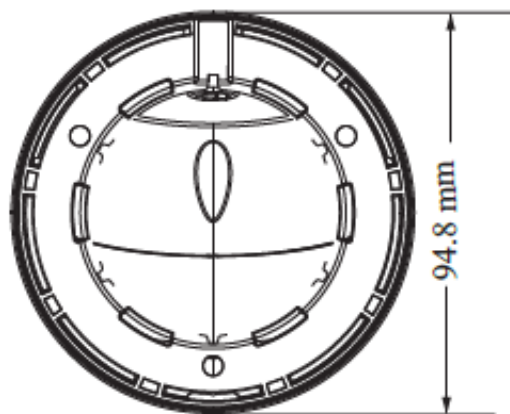
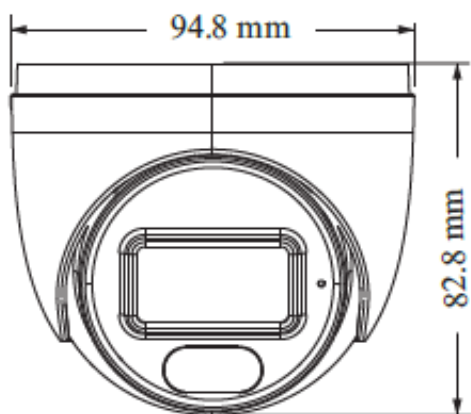
ECB-V25FD  
External Corner Bracket



JB-V25FD  
Junction Box

## DIMENSIONS

Structure Diagram



Units : mm

### PARTCODE

### DESCRIPTION

TG-V25FD

2MP Dome fixed 2.8/3.6mm, Smart H.265/H.264, Digital WDR, Smart IR upto 20m, Smart Analytics, Face Detection, IP67, dual streams, Intelligent Analytics supported, DC12V.

UAE Address:  
P3-Hamriyah Business Centre  
PO Box 50235  
Hamriyah Free Zone - Sharjah - UAE.  
E-mail: info@tgen5.com  
Tel : +97143488459

[HTTPS://TGEN5.COM](https://tgen5.com)