



TG-V25LZD



SOLUTIONS SECURING YOUR WORLD

KEY FEATURES

- 2MP Starlight IR Turret Network Dome Camera
- 30 ~ 50m IR night view distance
- 3D DNR, HLC, BLC, Defog, Smart IR & ROI coding
- Digital WDR
- Starlight
- Support 2 streams
- 128GB Supports External Storage
- DC12V/PoE
- Intelligent analytics
- IP67

SPECIFICATIONS

Description	2MP Starlight IR Turret Network Dome Camera	
Camera	Image Sensor	1 / 2.8" CMOS
	Shutter	1 s ~ 1 / 100000 s
	Minimum Illumination	0.007 lux@F2.0,AGC ON; 0 lux with IR 0.0028 lux@F1.2,AGC ON; 0 lux with IR
	Lens	2.8~12mm @F1.4,H.FoV: 91°~37.5°; V.FoV:51°~20.5°; D.FoV:96°~42.0°
	Digital NR	3D DNR
	IR Distance	Up to 50m
	WDR	Digital WDR
Video	Video Compression	Main stream: H.265 / H.264; Sub stream: H.265 / H.264 / MJPEG
	H.265 Compression	Baseline Profile/Main Profile/High Profile
	Resolution	1080P (1920 × 1080), 720P (1280 × 720), D1, CIF, 480 × 240
	Primary Stream	60Hz : 1080P(1 ~ 30fps) / 720P(1 ~ 30fps) 50Hz : 1080P(1 ~ 25fps) / 720P(1 ~ 25fps)
	Secondary Stream	60Hz : D1/CIF/480x240 (1~30fps); 50HZ: D1/CIF/480x240 (1~25fps)
	Bit Rate	128 Kbps ~ 6 Mbps
	Image Settings	ROI, Saturation, Brightness, Hue, Contrast,Wide Dynamic, Sharpness,
	ROI	Each ROI to be configured separately
	Audio Compression	G711A/U
System	Remote Monitoring	Web browsing, CMS remote control
	Online Connection	Support simultaneous monitoring for up to 3 users,; Support multi-stream real time transmission
	Interface Protocol	ONVIF
	Smart Alarm	Motion detection, SD card error, SD card full
	Intelligent Analytics	Video blur detection, scene change detection, line crossing detection and region intrusion detection, object removal detection(object left/missing)
	Function	Watermark, IP address filtering, video mask, heartbeat, illegal loginlock
Storage	Storage	Network remote storage, micro SD card
Network	Protocols	UDP, IPv4, IPv6,DHCP, NTP, RTSP, PPPoE, DDNS, SMTP, FTP, 802.1x, UPnP, HTTP, HTTPS, QoS
Interface	Ethernet	1*RJ45 10M/100M Ethernet Port
General	Power	DC12V/PoE
		Power consumption: < 9W
	Operating Conditions	- 30 °C ~ 60°C (-22°F~140°F) Humidity: less than 95 % (non condensing)
	Dimensions	111.5 × 99.6
Weight	Approx. 0.66 Kg	

ACCESSORIES



PM-V25LZD
Pole Mount



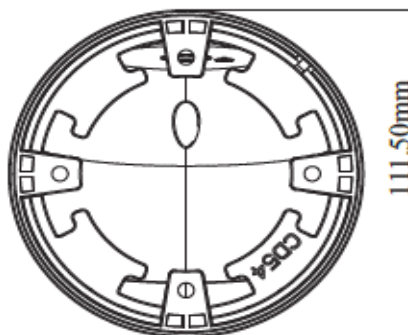
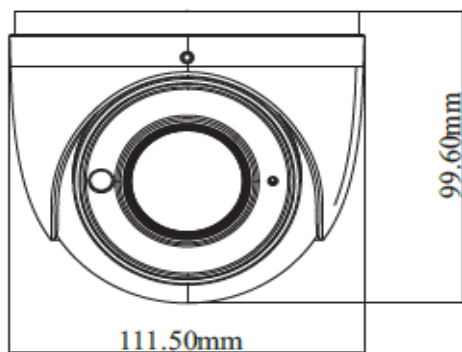
ECB-V25LZD
External Corner Bracket



JB-V25LZD
Junction Box

DIMENSIONS

Structure Diagram



Units : mm

PARTCODE

DESCRIPTION

TG-V25LZD

2MP Dome fixed 2.8/12mm, Smart H.265/H.264, Digital WDR, Smart IR upto 50m, Smart Analytics, Face Detection, IP67, dual streams, Intelligent Analytics supported, DC12V/PoE.

UAE Address:
P3-Hamriyah Business Centre
PO Box 50235
Hamriyah Free Zone - Sharjah - UAE.
E-mail: info@tgen5.com
Tel : +97143488459

[HTTPS://TGEN5.COM](https://tgen5.com)