



TG-V428P



SOLUTIONS SECURING YOUR WORLD

KEY FEATURES

- One Dome camera contains 4 modules, each to different direction, equal 4 separated IP-Camera
- Each module could circularly slide 0°~95° and vertically rotate 30°~70°
- Each module delivers max 2M (1080P@25/30fps) video stream
- True starlight technology provides vivid color at most scenarios
- 360°(H)×90°(V) circular IR illumination, up to 15m in radius
- VCA: human/vehicle detection, intrusion, line crossing, etc
- Alarm driven by multi-rules: cross line, intrusion, device error, etc
- 5 zones of e-PTZ, 8 zone of privacy masks, and custom logo support
- ONVIF specifications, interoperability between network video products regardless of manufacturer
- IP67, IK10

SPECIFICATIONS

Description	8MP Stitched 360° Panoramic Network Camera	
Camera	Image Sensor	1/2.8 progressive scan CMOS × 4CH
	Min. Illumination	Color 0.008Lux @ (F2.0AGC ON) / W 0.0008Lux @ (F2.0AGC ON); 0 Lux with IR
	WDR	DWDR 120dB
	Shutter Time	1/1 s – 1/10,000 s
	IR Distance	15m (in radius), 360°(H) × 90°(V)
	Smart IR	Support
Lens	Lens options	4mm lens × 4CH, F2.0
	Aperture	F2.0
	FOV	Horizontal FOV: 90°; Vertical FOV: 50°
Video	Max Resolution	3840×2160 (1~30fps)
	Video compression	H.265+/H.265/H.264+/H.264/MJPEG
	Stream 0	Panoramic view: 3840×2160, 2560×1440, 1920×1080 (1~30fps)
	Stream 1	CH1: 1920×1080, 1280×720, 720×480 (1~30fps)
	Stream 2	CH2: 1920×1080, 1280×720, 720×480 (1~30fps)
	Stream 3	CH3: 1920×1080, 1280×720, 720×480 (1~30fps)
	Stream 4	CH4: 1920×1080, 1280×720, 720×480 (1~30fps)
Network	Ethernet	1 RJ45 10M/100M/1000M Adaptive Ethernet (Support PoE 802.3.bt)
	Interface	1 RJ45 10M/100M Adaptive Ethernet (Support PoE+(802.3.at, class 4))
	Protocol	HTTP, HTTPS, IPv4/IPv6, 802.1x, QoS, FTP, SMTP, UPnP, SNMP, DNS, DDNS, NTP, RTSP, RTP, TCP/IP, UDP, IGMP, ICMP, DHCP, PPPoE
Audio	Audio Interface	1CH audio input, 2 to 2.4v[p-p] 1kΩ±10%; 1CH audio output (line out), impedance: 600Ω
	Audio compression	G.711 A/U
Smart Features	Basic event	Motion detection, video tampering alarm, exception (network disconnected, IP address conflict, SD full, SD error)
	Face recognize	Max 300 human faces per second (default off)
	Smart Detection	Up to 4 regions configurable: Human/vehicle detection and classification, Face comparison, Intrusion detection, Line crossing detection, Region entrance detection, Region exiting detection, detection, Scene change detection. Unattended baggage detection, Object removal detection, Scene change
	ROI	Up to 4 regions configurable
	Alarm Linkage	Upload to FTP/Memory card, notify surveillance center, send email, trigger alarm output, trigger recording, trigger capture
General	Working Temperature	-30°C ~ 55°C (-22 °F ~ 131 °F), 90%RH less (non-condensing), Cold start at - 20°C
	Protection	IP 66, IK10, 6000V Lightning Protection, Surge Protection and Voltage Transient Protection
	Power Supply	AC24V, DC24V, PoE++ (802.3.bt, class 6), (Max 50W, include IR and Heater on)
	Weather Proof, Housing	IP 67, IK 10, 6000V Lightning Protection, Surge Protection and Voltage Transient Protection
	Dimensions/Weight	273mm × H 180mm (10.7" × 7") / Approx. 2.1Kg (4.62lb)

ACCESSORIES



PM-V428P
Pole mount



WM-V428P
Wall Mount



PM-V428P
Pendant Mount

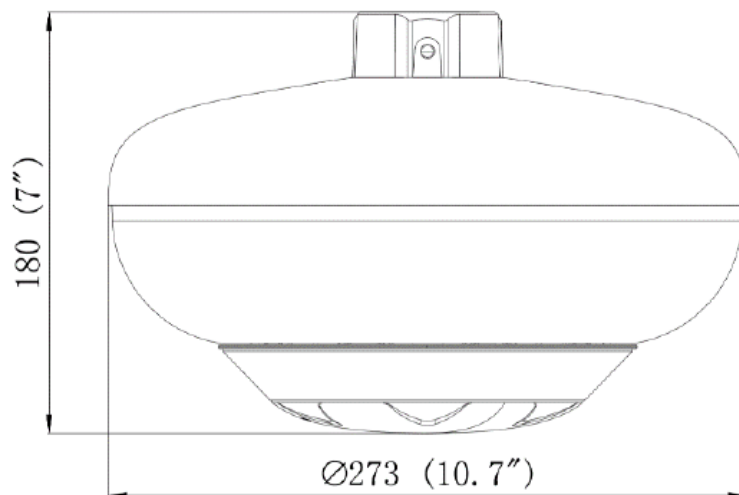


PMB-V428P
Pendant Mount Bracket



PM-V428P
Pole Mount

DIMENSIONS



PARTCODE

DESCRIPTION

TG-V428P

Outdoor Panoramic 8MP Quad-Directional (2MP x 4MP) WDR 120, IR 15m, Audio Ready, Face Recognition, Dome Network Camera, DC24V,PoE++, IP67/IK10.

UAE Address:
P3-Hamriyah Business Centre
PO Box 50235
Hamriyah Free Zone - Sharjah - UAE.
E-mail: info@tgen5.com
Tel : +97143488459

[HTTPS://TGEN5.COM](https://tgen5.com)