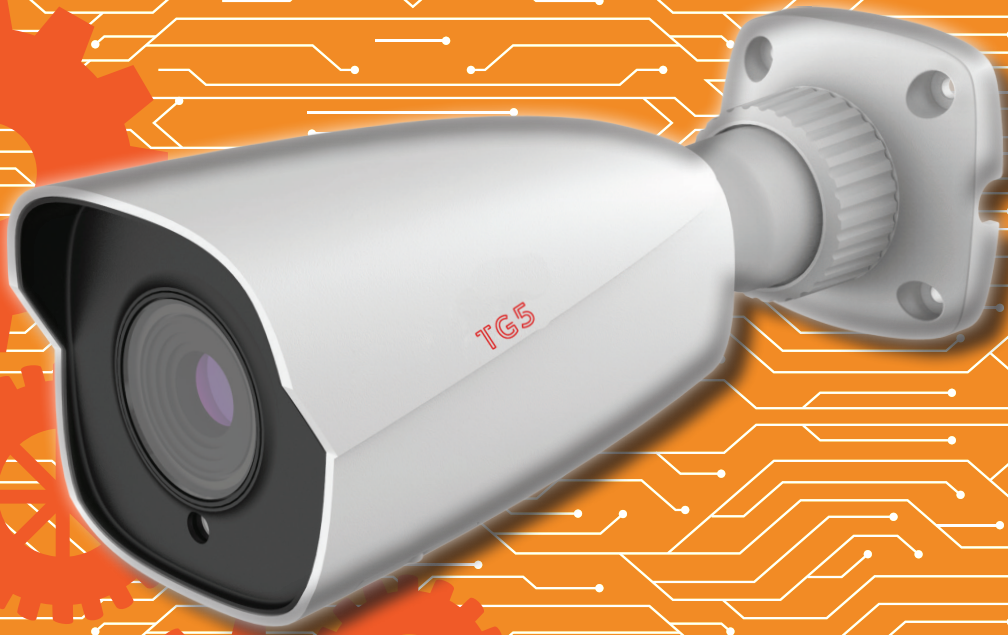




TG-V45ZB



SOLUTIONS SECURING YOUR WORLD

KEY FEATURES

- 4MP Motorized 2.8-12mm, H.265 / H.265+ Network IR Water-Proof Bullet Camera
- 30 ~ 50m IR night view distance
- ICR auto switch, true day / night vision
- 3D DNR, HLC, BLC, Defog, Smart IR & ROI coding
- WDR 120dB
- Supports 128GB External Storage
- Support 3 streams
- DC12V/PoE
- Intelligent analytics
- IP67

SPECIFICATIONS

Description	4Mp Bullet Motorised Lens 2.8 to 12mm, Smart H.265 / H.265+ PoE Bullet Network Camera	
Camera	Image Sensor	1 / 3 "CMOS
	Image Size	2592 × 1520
	Shutter	1 / 30 s ~ 1 / 100000 s
	Minimum Illumination	0.005 lux @ F1.6,AGC ON; 0 lux with IR 0.0028 lux @ F1.2,AGC ON; 0 lux with IR
	Day/Night	ICR
	Lens	2.8~12mm @ F1.4, H.FoV: 94.2°~ 29.8°; V.Fov: 62.4°~17°; D.FoV: 102°~33.9°;
	Digital NR	3D DNR
	IR Distance	Up to 50m
	WDR	120dB
Video	Video Compression	Smart H.265 / H.265+ / H.265 / Smart H.264 / H.264+ / H.264 / MJPEG
	H.264 Compression	Baseline Profile/Main Profile/High Profile
	Resolution	4MP (2592 × 1520), 2K (2560 × 1440), 3MP (2304 × 1296), 1080P (1920 × 1080), 720P (1280 × 720), D1, CIF, 480 × 240
	Primary Stream	4MP/2K/3MP/1080P / 720P(60Hz :1 ~ 30fps; 50Hz: 1~25fps) HFR mode: 1080P / 720P(60Hz : 1 ~ 60fps; 50Hz: 1~50fps)
	Secondary Stream	720P/D1/CIF/480×240 (60Hz : 1 ~ 30fps; 50Hz: 1~25fps)
	Third Stream	D1/CIF/480×240 (60Hz : 1 ~ 30fps; 50Hz: 1~25fps)
	Bit Rate	64 Kbps ~ 8 Mbps
	Image Settings	ROI, Saturation, Brightness, Hue, Contrast,Wide Dynamic, Sharpness,
	ROI	Each ROI to be configured separately
Audio	Audio Compression	G711A / U
	Audio	1CH audio input
System	Remote Monitoring	Web browsing,CMS remote control
	Online Connection	Support simultaneous monitoring for up to 10 users,, Support multi-stream real time transmission
	Interface Protocol	ONVIF
	Smart Alarm	Motion detection, SD card error, SD card full
	Intelligent Analytics	Line crossing, region entrance/exiting/intrusion (human/motor vehicle/non- motor vehicle classification) Scene change, video blur and video color cast detection,face detection and face capture
	Function	Watermark, IP address filtering, video mask, heartbeat, password protection, non-photosensitive switch, image distortion correction
	Storage	Network remote storage; micro SD card storage
Network	Protocols	UDP,IPv4, IPv6,DHCP, NTP, RTSP, PPPoE, DDNS, SMTP, FTP, SNMP, HTTP, 802.1x, UPnP, HTTPs, QoS
Interface	Ethernet	1*RJ45 10M/100M Ethernet Port
General	Power	DC12V/PoE
		Power consumption: < 9.5W
	Operating Conditions	- 30 °C ~ 60 °C (-22°F~140°F) Humidity: less than 95 % (non condensing)
	Dimensions	217.7 × 80.5 × 80
Weight	Approx. 0.69 Kg	

ACCESSORIES



PM-V45ZB
Pole Mount



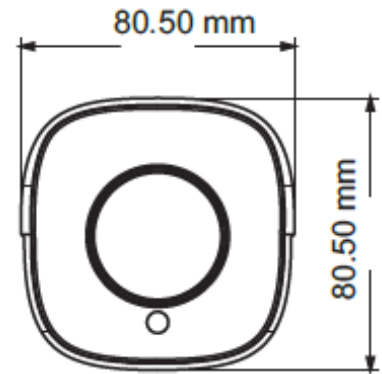
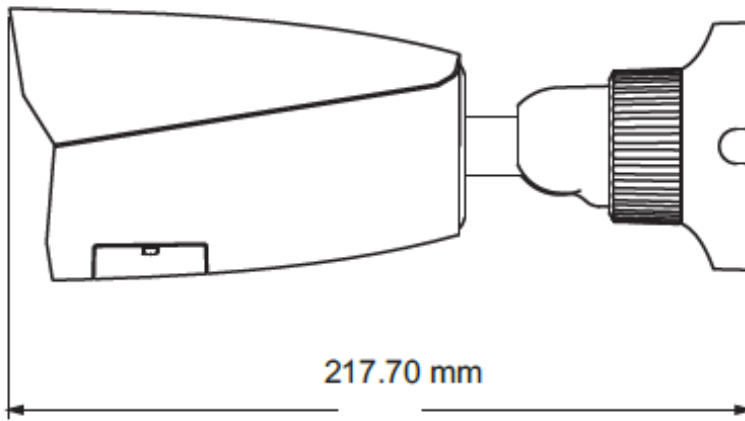
ECB-V45ZB
External Corner Bracket



JB-V45ZB
Junction Box

DIMENSIONS

Structure Diagram



Units : mm

PARTCODE

DESCRIPTION

TG-V45ZB

4MP Bullet Fixed Lens 2.8to 12mm, Smart H.265 / H.265+, WDR 120dB Upto 50m IR, Intelligent analytics supported, 3streams. DC12V/PoE, IP67,

UAE Address:
P3-Hamriyah Business Centre
PO Box 50235
Hamriyah Free Zone - Sharjah - UAE.
E-mail: info@tgen5.com
Tel : +97143488459

[HTTPS://TGEN5.COM](https://tgen5.com)