



TG-V51FD



TG5

SOLUTIONS SECURING YOUR WORLD

KEY FEATURES

- 5MP 2.8/3.6mm, AI Smart H.265S/H.265+ Fixed Network Fixed Dome Camera
- 20 ~ 30m IR night view distance
- 3D DNR, HLC, BLC, Defog, Smart IR & ROI coding
- ICR auto switch, true day / night vision • Support 3 streams
- WDR 120dB
- AC24V/DC12V/ PoE power supply
- 128GB Supports External Storage
- Intelligent analytics
- IP67

SPECIFICATIONS

Description	5MP 2.8/3.6mm, AI Smart H.265S/H.265+ Fixed Network PoE Dome Cameraa	
Camera	Image Sensor	1 / 2.7 "CMOS
	Shutter	1 / 30 s ~ 1 / 100000 s
	Minimum Illumination	0.009lux@F1.6,AGC ON; 0 lux with IR 0.006 lux@F1.2,AGC ON; 0 lux with IR
	Day/Night	ICR
	Lens	2.8 mm@F1.6, horizontal FoV: 98.5°; vertical FoV: 82.1°; diagonal FoV:110.9° 3.6 mm@F1.6, horizontal FoV: 81.4°; vertical FoV: 65.7°; diagonal FoV:94.2°
	Digital NR	3D DNR
	IR Distance	Up to 50m
	WDR	30dB
Video	Video Compression	Main stream: H.265S / H.265+ / H.265 / H.264S / H.264+ / H.264 / MJPEG Sub stream: H.265+ / H.265 / H.264+ / H.264 / MJPEG Third stream: H.265+ / H.265 / H.264+ / H.264 / MJPEG
	H.264 Compression	Baseline Profile/Main Profile/High Profile
	Resolution	5MP (2592x1944), 4MP (2592x1520), 2K (2560x1440), 3MP(2304x 1296), 1080P (1920x1080), 720P (1280x720), D1, CIF, 480x240
	Primary Stream	5MP/4MP/2K/3MP/1080P / 720P(60Hz: 1 ~ 30fps; 50Hz: 1~25fps) HFR mode: 1080P / 720P(60Hz : 1 ~ 60fps; 50Hz: 1~50fps)25fps)
	Secondary Stream	720P/D1/CIF/480x240(60Hz : 1 ~ 30fps; 50Hz: 1~25fps)
	Tertiary Stream	D1/CIF/480x240 (60Hz : 1 ~ 30fps; 50Hz: 1~25fps)
	Bit Rate	64 Kbps ~ 8 Mbps
	Image Settings	ROI, Saturation, Brightness, Hue, Contrast,Wide Dynamic, Sharpness,
	ROI	Each ROI to be configured separately
	Audio	Audio Inputs
Remote Monitoring		Web browsing,CMS remote control
System	Online Connection	Support simultaneous monitoring for up to 10 users;; Support multi-stream real time transmission
	Interface Protocol	ONVIF
	Smart Alarm	Motion detection, SD card error, SD card full,
	Intelligent Analytics	Video blur detection, scene change detection, line crossing detection and region, intrusion detection, Face detection and face capture
	Function	Watermark, IP address filtering, video mask, heartbeat, password protection, image distortion correction
	Storage	Storage
Network	Protocols	UDP, IPv4, IPv6, DHCP, NTP, RTSP, RTP, RTCP, ICMP, IGMP, FTP, PPPoE, DDNS, SMTP,SNMP,HTTP, 802.1x, UPnP, HTTPs, QoS
Interface	Ethernet	1*RJ45 10M/100M Ethernet Port
General	Power	DC12V/PoE Power consumption: < 7W
	Operating Conditions	- 30 °C ~ 60°C (-22°F~140°F) Humidity: less than 95 % (non condensing)
	Dimensions	94.6 × 82.8
	Weight	Approx. 0.46 Kg

ACCESSORIES



PM-V51FD
Pole Mount



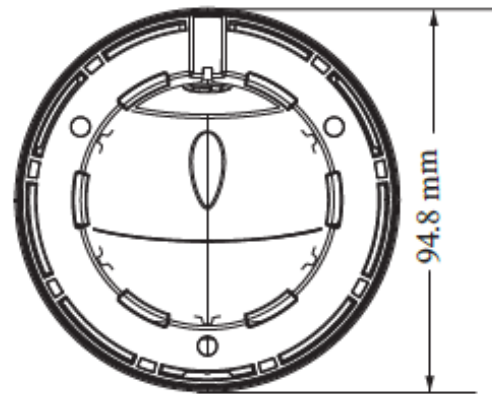
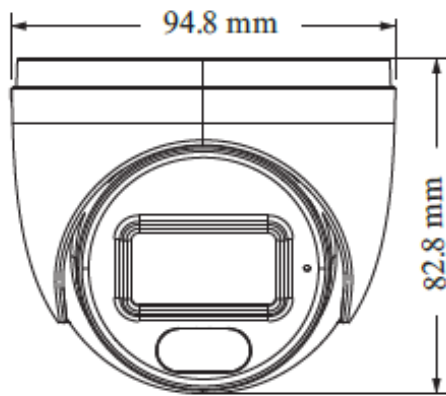
ECB-V51FD
External Corner Bracket



JB-V51FD
Junction Box

DIMENSIONS

Structure Diagram



Units : mm

PARTCODE

DESCRIPTION

TG-V51FD

5MP Bullet fixed 2.8 to 3.6mm, AI Smart H.265S/H.265+, True WDR120db, Smart IR upto 30m, Smart Analytics, Face Detection, 3 streams, Intelligent Analytics supported, IP67, DC12V/PoE.

UAE Address:
P3-Hamriyah Business Centre
PO Box 50235
Hamriyah Free Zone - Sharjah - UAE.
E-mail: info@tgen5.com
Tel : +97143488459

[HTTPS://TGEN5.COM](https://tgen5.com)