



TG-V52ZB



SOLUTIONS SECURING YOUR WORLD

KEY FEATURES

- 5MP Motorized H-265 IR Water-proof bullet network camera
- 30 ~ 50m IR night view distance
- 3D DNR, HLC, BLC, Defog, Smart IR & ROI coding
- WDR 120dB
- 1CH audio input
- Support 3 streams
- DC12V/PoE power supply
- 128GB Supports External Storage
- Intelligent analytics
- IP67

SPECIFICATIONS

Description	5MP Bullet motorized 2.8/3.6mm,H.265/H.264, Digital WDR, IR network bullet camera	
Camera	Image Sensor	1 / 2.7 " CMOS
	Shutter	1 / 30 s ~ 1 / 100000 s
	Minimum Illumination	0.0236 lux @ F2.0, AGC ON; 0 lux with IR 0.0085 lux @ F1.2, AGC ON; 0 lux with IR
	Day/Night	ICR
	Lens	2.8 mm@F2.0, horizontal FoV :93.4°, Vertical FoV: 77°; Diagonal FoV : 106° 3.6 mm@F2.0, horizontal FoV :79.4°; Vertical FoV: 63.8°; Diagonal FoV : 92°
	Digital NR	3D DNR
	IR Distance	Up to 50m
	WDR	Digital WDR
Video Compression	Video Compression	H.265 / H.264
	H.264 Compression	Main Profile @ Leve4.1 High Tier
	Resolution	5MP (2592 1944), 1080P (1920 1080),720P (1280 × 720), D1, CIF, 480 × 240 × 4MP (2560 × 1440),
	Primary Stream	60Hz 5MP(1 20fps) / 4MP(1~30fps)/ 1080P(1~30fps)/720P(1~30fps) 50Hz : 5MP(1~20fps)/4MP (1~25fps)/1080P (1~25fps)/ 720P (1~25fps)
	Secondary Stream	60Hz :720P (1~15fps)/D1 (1~30fps)/CIF (1~30fps); 50Hz:720P (1~12fps) /D1 (1~25fps)/CIF (1~25fps)
	Tertiary Stream	60Hz : D1/CIF/480×240 (1~30fps); 50Hz: D1/CIF/480×240 (1~25fps)
	Bit Rate	64 Kbps ~ 5 Mbps
	Image Settings	ROI, Saturation, Brightness, Hue, Contrast,Wide Dynamic, Sharpness, NR
	ROI	Each ROI to be configured separately
	System	Remote Monitoring
Online Connection		Support simultaneous monitoring for up to 4 users,; Support multi-stream real time transmission
Interface Protocol		ONVIF
Smart Alarm		Motion detection, SD card error, SD card full
Intelligent Analytics		Object removal detection (object left/missing), scene change detection, video blur detection, intrusion detection and line crossing detection
Function		Watermark, IP address filtering, video mask, heartbeat, illegal login lock
Storage	Storage	Network remote storage; micro SD card storage
Network	Protocols	UDP, IPv4, IPv6, DHCP, NTP, RTSP, RTP, RTCP, ICMP, IGMP, FTP, PPPoE, DDNS, SMTP,SNMP,HTTP, 802.1x, UPnP, HTTPs, QoS
Interface	Ethernet	1*RJ45 10M/100M Ethernet Port
General	Power	DC12V/PoE
		Power consumption: < 9W
	Operating Conditions	- 30 °C ~ 60°C (-22°F~140°F) Humidity: less than 95 % (non condensing)
	Dimensions	217.7 × 80.5 × 80.5
Weight	Approx. 0.65 Kg	

ACCESSORIES



PM-V52ZB
Pole Mount



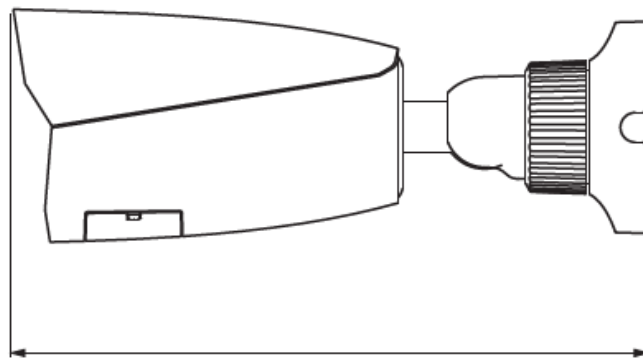
ECB-V52ZB
External Corner Bracket



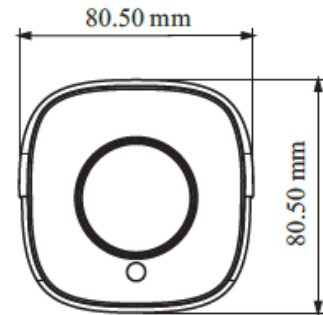
JB-V52ZB
Junction Box

DIMENSIONS

Structure Diagram



217.70 mm



Units : mm

PARTCODE

DESCRIPTION

TG-V52ZB

5MP Bullet Motorized 2.8-12mm Lens, IR 30~ 50M, Smart H.265S/H.265+, Digital WDR, Smart Analytics, IP67, 3streams, Intelligent Analytics supported, DC12V/PoE.

UAE Address:
P3-Hamriyah Business Centre
PO Box 50235
Hamriyah Free Zone - Sharjah - UAE.
E-mail: info@tgen5.com
Tel : +97143488459

[HTTPS://TGEN5.COM](https://tgen5.com)