



TG-V52ZD



TG5

SOLUTIONS SECURING YOUR WORLD

KEY FEATURES

- 5MP @ 60fps IR Water-Proof Turret Network Camera
- 30 ~ 50m IR night view distance
- 3D DNR, HLC, BLC, Defog, Smart IR & ROI coding
- Digital WDR
- Built in Mic
- Support corridor mode
- Support 3 streams
- DC12V/PoE power supply
- 128GB Supports External Storage
- Intelligent analytics
- IP67

SPECIFICATIONS

Description	5MP @ 60fps H.265 / H.264, 2.8-12mm Lens Turret Motorized IR, Dome Network Camera	
Camera	Image Sensor	1 / 2.7 "CMOS
	Shutter	1 s ~ 1 / 100000 s
	Minimum Illumination	0.0115 lux @F1.4, AGC ON; 0 lux with IR 0.0085 lux @ F1.2, AGC ON; 0 lux with IR
	Day/Night	ICR
	Lens	2.8 ~ 12 mm @F1.4; (motorized)
	Digital NR	3D DNR
	IR Distance	Up to 50m
	WDR	Digital WDR
Video	Video Compression	H.265 / H.264
	H.264 Compression	Main Profile @ Leve4.1 High Tier
	Resolution	5MP (2592 × 1944), 4MP (2560 × 1440), 1080P (1920 × 1080), 720P (1280 × 720), D1, CIF, 480 × 240
	Primary Stream	60Hz : 5MP(1~20fps)/ 4MP(1~30fps)/ 1080P(1~30fps) /720P(1~30fps) 50Hz : 5MP(1~20fps)/4MP (1~25fps)/1080P (1~25fps) /720P (1~25fps)
	Secondary Stream	60Hz :720P(1~15fps) /D1 (1~30fps)/CIF (1~30fps); 50Hz:720P(1~12fps) /D1(1~25fps)/CIF (1~25fps)
	Tertiary Stream	60Hz : D1/CIF/480x240 (1~30fps); 50Hz: D1/CIF/480x240 (1~25fps)
	Bit Rate	64 Kbps ~ 5 Mbps
	Image Settings	ROI, Saturation, Brightness, Hue, Contrast,Wide Dynamic, Sharpness,
	ROI	Each ROI to be configured separately
	Audio	Audio Compression
Audio		1CH built-in MIC
System	Remote Monitoring	Web browsing,CMS remote control
	Online Connection	Support simultaneous monitoring for up to 4 users,; Support multi-stream real time transmission
	Interface Protocol	ONVIF
	Smart Alarm	Motion detection,
	Intelligent Analytics	Object removal detection (object left/missing), scene change detection, video blur detection, intrusion detection and line crossing detection
	Function	Watermark, IP address filtering, video mask, heartbeat, illegal login lock
Storage	Storage	Network remote storage; micro SD card storage
Network	Protocols	UDP, IPv4, IPv6, DHCP, NTP, RTSP, RTP, RTCP, ICMP, IGMP, FTP, PPPoE, DDNS, SMTP,SNMP,HTTP, 802.1x, UPnP, HTTPs, QoS
Interface	Ethernet	1*RJ45 10M/100M Ethernet Port
General	Power	DC12V/PoE
		Power consumption: < 10W
	Operating Conditions	- 30 °C ~ 60°C (-22°F~140°F) Humidity: less than 95 % (non condensing)
	Dimensions	111.5 × 99.6
	Weight	Approx.0.64Kg

ACCESSORIES



PM-V52ZD
Pole Mount



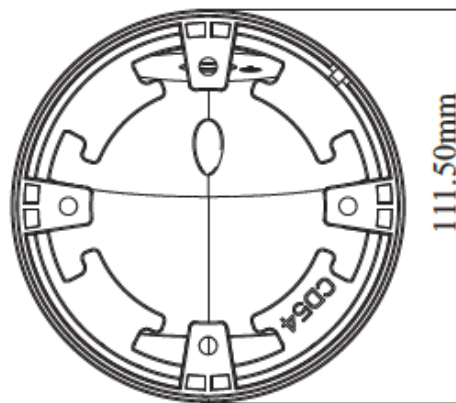
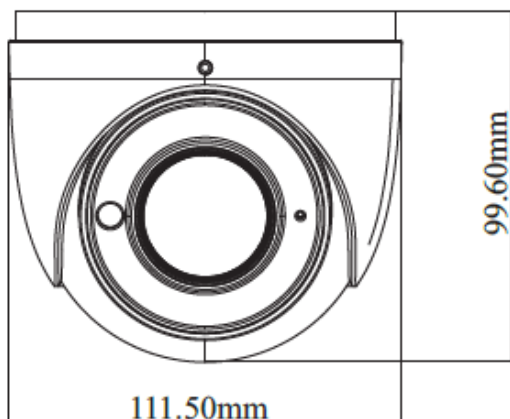
ECB-V52ZD
External Corner Bracket



JB-V52ZD
Junction Box

DIMENSIONS

Structure Diagram



Units : mm

PARTCODE

DESCRIPTION

TG-V52ZD

5MP @ 60fps Motorized 2.8~12mm H.265+/H.265/H.264, IR Turret Dome Camera, Color:0.0085Lux @ F1.4, Digital WDR, IR50m, Support VCA intrusion detection,line crossing detection, IP67, PoE/DC12V.

UAE Address:
P3-Hamriyah Business Centre
PO Box 50235
Hamriyah Free Zone - Sharjah - UAE.
E-mail: info@tgen5.com
Tel : +97143488459

[HTTPS://TGEN5.COM](https://tgen5.com)