



# TG-V543T TG-V547T



SOLUTIONS SECURING YOUR WORLD

## KEY FEATURES

- Thermal Network Bullet Camera

Thermal:

- Resolution: 256 192
- 12 $\mu$ m, NETD:  $\leq$  50mK (@ 25 °C, F#=1.0)
- Temperature range : -20°C~150°C
- Multi-palette: white hot, black hot, iron oxide red, etc
- Sound and light warning, temperature exception alarm, fire detection

Optical:

- 5MP ( 2592 x 1944 ) @ 30 fps
- ICR auto switch, true day/night vision
- 20~30m IR night view distance
- 3D DNR, true WDR(120dB), HLC, BLC, Smart IR, distortion image correction, ROI etc.
- Intelligent analytics: intrusion detection (human/vehicle classification), line crossing detection (human/vehicle classification), scene change detection, video exception detection, target counting(human/vehicle classification), face detection, face capture

# SPECIFICATIONS

<b>Description</b>	Thermal Network Bullet Camera		
<b>Thermal Module</b>	Detector Type	12μm 256 x 192 Vanadium oxide uncooled focal plane detector	
	Response Waveband	8μm - 14μm	
	NETD	≤50mK ( @ 25°C, F#=1.0 )	
	IRIS Type	Fixed Iris	
	Lens	3.2mm @ F1.1,      7mm @ F1.0	
	Field of View (HxV)	56° x 42.2°,      24.8° x 18.7°	
	Min. Focusing Distance	0.5 m,      1.1m	
	Color Palettes	Black hot, White hot,iron oxide red, etc.	
<b>Visible Light Module</b>	Image Sensor	1/ 2.7" CMOS	
	Image Size	2592 x 1944	
	Electronic Shutter	1/3 s ~ 1 / 100000 s	
	Iris Type	Fixed Iris	
	Min. Illumination	0.02 lux @ F1.6,AGC ON; 0 lux with IR 0.03 lux @ F2.0,AGC ON; 0 lux with IR	
	Lens	4mm @ F1.6      8mm @ F2.0	
	Field of View(HxV)	81°x56.7°      38°x27.5°	
	Wide Dynamic Range	120dB	
	BLC/HLC/Defog	Yes	
	Digital NR	2D/3D DNR	
	<b>Image</b>	Video Compression	H.265 +/ H.265 /H.264+ /H.264 / MJPEG
H.264 Compression Standard		Baseline Profile / Main Profile / High Profile	
Bit Rate Type		VBR/CBR	
Bit Rate		128Kbps~ 8Mbps	
Resolution		Thermal : 256 x 192	
		Optical : 5MP ( 2592 x 1944 ), 4MP ( 2592 x 1520 ), 2K ( 2560 x 1440 ), 3MP ( 2304 x 1296 ),1080P ( 1920 x 1080 ), 720P ( 1280 x 720 ), D1, CIF, 480 240	
Main Stream		Optical: 60Hz: 5MP/4MP/2K/3MP/1080P/720P (1~30fps); 50Hz: 5MP/4MP/2K/3MP/1080P/720P (1~25fps)	
		Thermal : 60Hz: 256 x 192 (the resolution of output image is 720P) (1~30fps); 50Hz: 256 x 192 (the resolution of output image is 720P) (1~25fps)	
Sub Stream		Optical: 60Hz: 720P/D1/CIF (1~30fps); 50Hz: 720P/D1/CIF (1~25fps)	
		Thermal : 60Hz: 384 288 (the resolution of output image is 720P) (1~30fps); 50Hz: 384 288 (the resolution of output image is 720P) (1~25fps)	
Third Stream	Optical : 60Hz: D1/CIF/480 x 240(1~30fps); 50Hz: D1/CIF/480 x 240(1~25fps)		
	Thermal : 60Hz: 256 x 192 (the resolution of output image is 720P) (1~30fps); 50Hz: 256 x 192 (the resolution of output image is 720P) (1~25fps)		

## SPECIFICATIONS

	Image Settings	ROI, Saturation, Brightness, Hue, Contrast, Wide Dynamic, Sharpness, NR, etc. adjustable through client software or web browser
	Audio Compression	G711A/U
	ROI	8 regions; each ROI to be configured separately
Interfaces	Network	RJ 45
	Audio	1CH 3.5mm MIC/LIN in audio input; 1CH audio output; 1CH built-in speaker
	Storage	Built-in micro SD card slot; up to 256GB
	RS 485	No
	Alarm	1 CH alarm input; 1CH alarm output
Functions	Temperature Range	-20°C~150°C (-4°F~302°F)
	Temperature Accuracy	±8°C
	Temperature alarm	Over temperature alarm, low temperature alarm
	Temperature Measurement	10 rules in total (Point: up to 10, Line: 2, recommended, Area:2, recommended)
	Fire Detection	Dynamic fire detection, up to 10 fire points detectable
	Remote Monitoring	Web browser/NVMS2.X/Mobile APP
	Online Connection	Support simultaneous monitoring for up to 10 users; Support multi-stream real time transmission
	Network Protocol	UDP, IPv4, IPv6, DHCP, NTP, RTSP, RTP, RTCP, ICMP, IGMP, PPPoE, DDNS, SMTP, FTP, SNMP,HTTP, 802.1x, UPnP, HTTPs, QoS
	Interface Protocol	ONVIF
	Storage	Network remote storage; micro SD card storage
	Smart Alarm	Motion detection, SD card error, SD card full, IP address conflict, Cable connection
	Intelligent Analytics	Optical: intrusion detection (human/vehicle classification), line crossing detection, (human/vehicle classification), scene change detection, video exception detection, target counting(human/vehicle classification) , face detection, face capture. Thermal: Fire detection, temperature exception alarm.
	General Function	Watermark, IP address filtering, video mask, heartbeat, password, protection, image distortion correction
	Sound & Light Warning	White light flashing alarm and sound alarm supported
	PoE	Yes , IEEE802.3 af, class0
IR Distance	20~ 30	
Protection Grade	IP66	
General	Working Temperature	-30 °C ~ 60 °C (-22°F~140°F), Humidity: less than 95 % (non-condensing)
	Power Supply	DC12V / PoE
	Power Consumption	< 9W
	Dimensions / Weight	217.8 × 80.5 × 80.3 / 0.7KG

## ACCESSORIES



JB-V543T  
Junction Box



PM-V543T  
Pole Mount

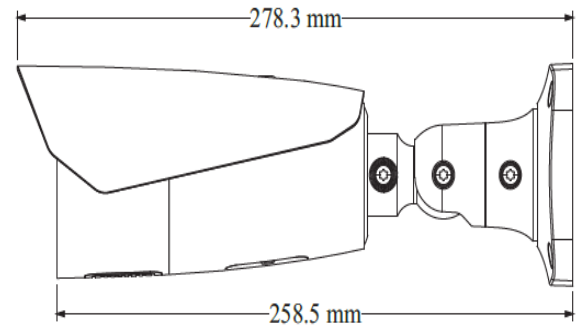
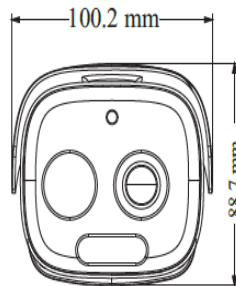
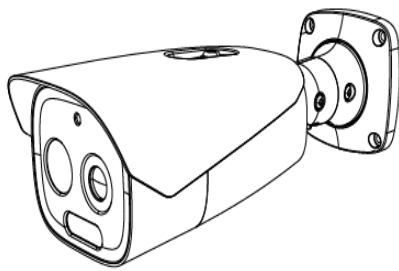


ECB-V543T  
External Corner Bracket



PM-V543T  
Pendant Mount

## DIMENSIONS



### PARTCODE

### DESCRIPTION

TG-V543T

5MP H.265+ Thermal Network Bullet Camera, 3.2mm thermal lens  
microSD upto 256Gb, IP66/IK10, PoE/12VDC

TG-V547T

5MP H.265+ Thermal Network Bullet Camera, 7mm thermal lens  
microSD upto 256Gb, IP66/IK10, PoE/12VDC

UAE Address:  
P3-Hamriyah Business Centre  
PO Box 50235  
Hamriyah Free Zone - Sharjah - UAE.  
E-mail: [info@tgen5.com](mailto:info@tgen5.com)  
Tel: +97143488459

[HTTPS://TGEN5.COM](https://tgen5.com)