



TG-V59B



SOLUTIONS SECURING YOUR WORLD

KEY FEATURES

- 5MP Motorized Network IR Water-Proof Bullet Camera
- H.265S/H.265+/H.265/H.264S/H.254+/H.254/MJPEG coding
- Resolution: 2592 x 1944
- ICR auto switch
- Up to 100m IR night view distance;
- 120dB True WDR
- 3D DNR, true WDR, HLC, BLC, Defog, NIR, Smart IR and ROI coding
- Support image distortion correction
- 256GB Supports External Storage
- IP 67
- Support 3 streams
- Intelligent analytics
- DC12V/PoE power supply

SPECIFICATIONS

| | | |
|----------------------|--|--|
| Description | 5MP Motorized Network IR Bullet Camera | |
| Camera | Image Sensor | 1 / 2.7 "CMOS |
| | Iris Type | DC Iris |
| | Shutter | 1 / 30 s ~ 1 / 100000 s |
| | Min. Illumination | 0.009 lux@F1.6,AGC ON; 0 lux with IR |
| | | 0.007 lux@F1.4,AGC ON; 0 lux with IR |
| | Lens | 2.8~12mm@F1.4, motorized |
| | Field of View (HxV) | H: 95.1°~30°; V: 78.7°~22.8°, D: 107.6°~37.1° |
| | IR Range | 100m |
| WDR | 120dB | |
| | Angle Adjustment | Pan: 0°~360°; Tilt:0°~90°;Rotation: 0°~360° |
| Video | Video Compression | Main stream: H.265S / H.265+ / H.265 / H.264S / H.264+ / H.264 / MJPEG Sub stream: H.265+ / H.265 / H.264+ / H.264 / MJPEG Third stream: H.265+ / H.265 / H.264+ / H.264 / MJPEG |
| | Resolution | 5MP (2592×1944), 4MP (2592×1520), 2K (2560×1440), 3MP(2304×1296),1080P (1920×1080), 720P (1280×720), D1, CIF, 480×240 |
| | Image Settings | ROI, Saturation, Brightness, Chroma, Contrast,Wide Dynamic, Sharpen,etc |
| | Primary Stream | 5MP/4MP/2K/3MP/1080P / 720P(1 ~ 30fps; 50Hz: 1~25fps)HFR mode: 1080P / 720P(60Hz : 1 ~ 60fps; 50Hz: 1~50fps)60Hz |
| | Secondary Stream | 720P/D1/CIF/480×240 (60Hz : 1 ~ 30fps; 50Hz: 1~25fps) |
| | Tertiary Stream | D1/CIF/480×240 (60Hz : 1 ~ 30fps; 50Hz: 1~25fps) |
| | ROI | Each ROI to be configured separately |
| | Bit Rate | 64 Kbps ~ 8 Mbps |
| | BLC/HLC/Defog | Yes |
| | Bit Rate Type | VBR / CBR |
| | System | Video Analysis |
| Advanced Function | | Watermark, IP address filtering, video mask, heartbeat, password protection, image distortion correction. |
| System Compatibility | | ONVIF |
| Storage | Storage | Support microSD/SDHC/SDXC Card Local Storage, up to 256G |
| Network | Protocols | UDP, IPv4, IPv6, DHCP, NTP, RTSP, RTP, RTCP, ICMP, IGMP, PPPoE,DDNS, SMTP, FTP, SNMP,HTTP, 802.1x, UPnP, HTTPs, QoS |
| | Network Storage | Network remote storage |
| Interface | Ethernet | 1xRJ45 10M/100M Ethernet Port |
| General | Power | DC12V/PoE |
| | | Power consumption: < 12.5W |
| | Operating Conditions | - 30 °C ~ 60°C (22°F~140°F) (Humidity: less than 95 % (non condensing) |
| | Ingress Protection Level | IP67 |
| | Environmental Protection | Complies with Directive EU RoHS, WEEE(2012/19/EU) , directive 94/62/EC and REACH(EC1907/2006) |
| Protection | 278.3 × 100.2 × 88.7 / Approx. 1.04KG | |

ACCESSORIES



JB-V59B
Junction Box



PM-V59B
Pole Mount

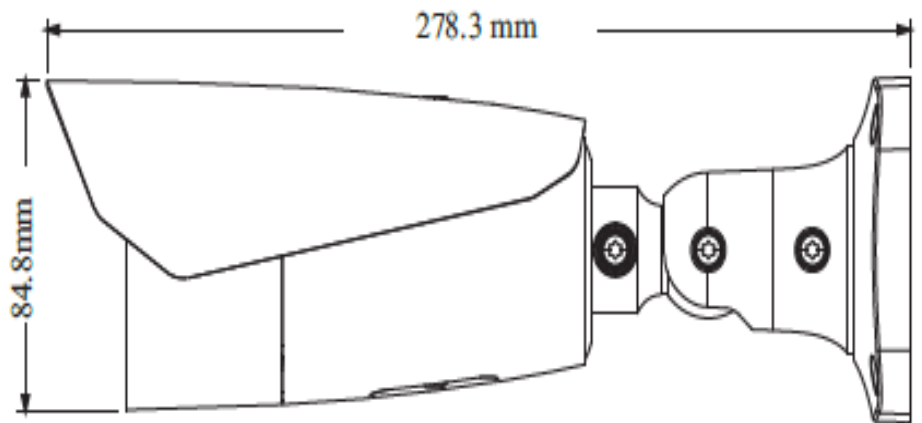
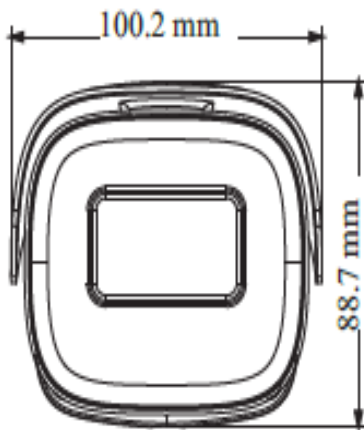


ECB-V59B
External Corner Bracket



PM-V59B
Pendant Mount

DIMENSIONS



PARTCODE

DESCRIPTION

TG-V59B

5MP H.265+ Motorized Network IR Water-Proof Bullet Camera,
2.8-12mm lens microSD upto 256Gb, IP66, PoE/12.5VDC

UAE Address:
P3-Hamriyah Business Centre
PO Box 50235
Hamriyah Free Zone - Sharjah - UAE.
E-mail: info@tgen5.com
Tel: +97143488459

[HTTPS://TGEN5.COM](https://tgen5.com)

ACCESSORIES



JB-V543T
Junction Box



PM-V543T
Pole Mount

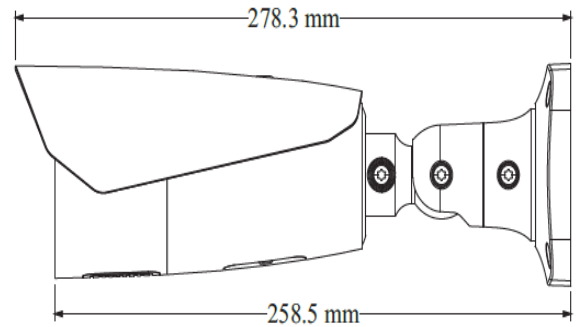
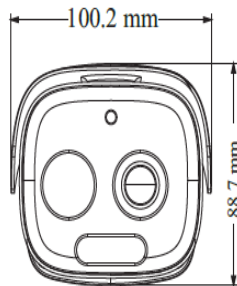
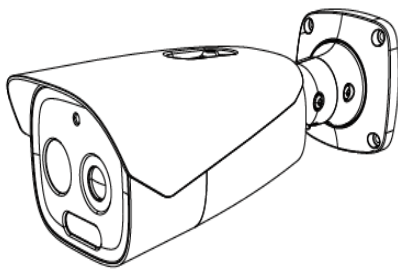


ECB-V543T
External Corner Bracket



PM-V543T
Pendant Mount

DIMENSIONS



PARTCODE

DESCRIPTION

TG-V543T

5MP H.265+ Thermal Network Bullet Camera, 3.2mm thermal lens
microSD upto 256Gb, IP66/IK10, PoE/12VDC

TG-V547T

5MP H.265+ Thermal Network Bullet Camera, 7mm thermal lens
microSD upto 256Gb, IP66/IK10, PoE/12VDC

UAE Address:
P3-Hamriyah Business Centre
PO Box 50235
Hamriyah Free Zone - Sharjah - UAE.
E-mail: info@tgen5.com
Tel: +97143488459

[HTTPS://TGEN5.COM](https://tgen5.com)